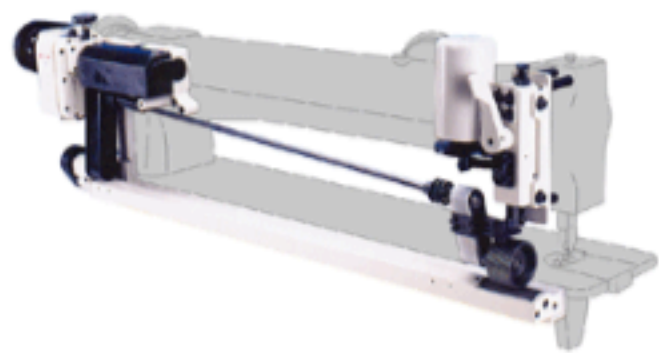
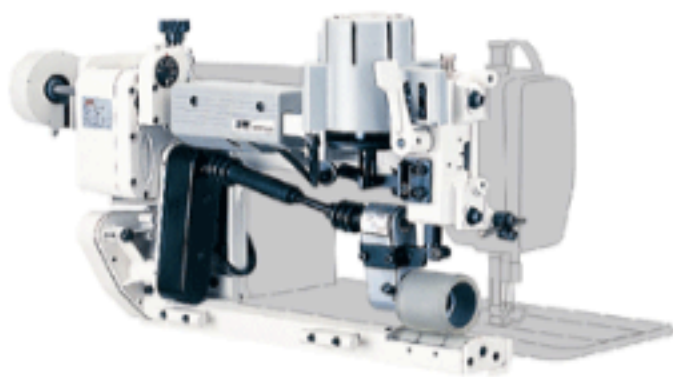


**PT** 單針、雙針車用・上下輪驅動(標準型)  
FOR SINGLE OR TWIN NEEDLE WITH UPPER AND LOWER ROLLERS(REGULAR)

**PT-L** 長臂型・接受訂貨生產  
FOR LONG ARM, AVAILABLE FOR CUSTOM-MADE

訂貨時告知拉布輪提昇高度及操作空間 (參照P10)  
Please advise the roller lifting height and operation space (please refer to P10).



▶ PT-01   ▶ PT-02   ▶ PT-03

## FOR FEED-OFF-THE-ARM 腕型車系列

**PF** 一般布料用・上輪驅動  
For General Fabric, Top Driven Roller

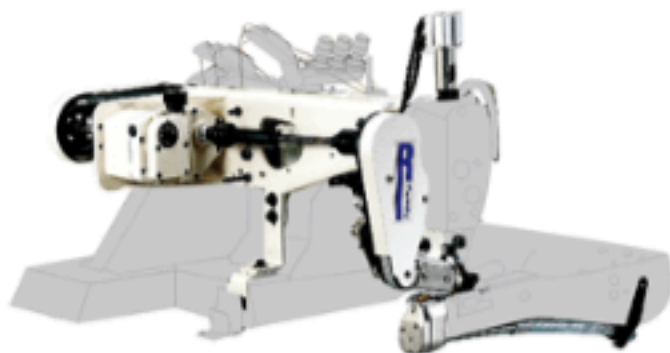
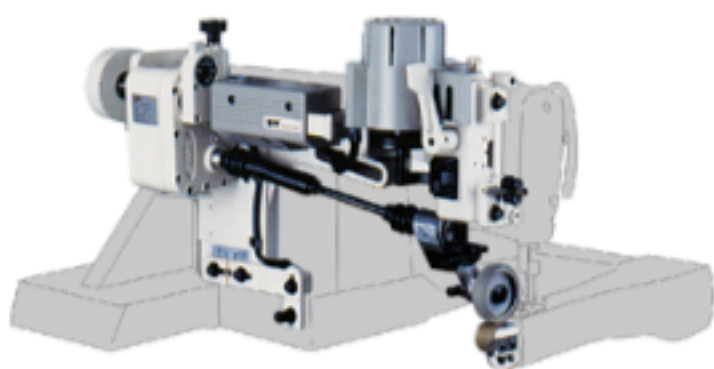
**PF-H** 厚物用・上輪驅動  
For Heavy Duty, Top Driven Roller

**PF-HB/ECV/AF**

厚物・極厚物用皮帶式拖輪 (耐厚物專用 1/8" x 1/8" 針距組)  
Belt type puller for Extra Heavy Duty (with gauge set 1/8" x 1/8" for heavy duty)

**PF-RB/ECV/AF**

一般布料用皮帶式拖輪  
BELT PULLER FOR REGULAR FABRIC



▶ PF-01  
▶ PF-02  
▶ PF + ECV  
▶ PF-H

▶ PF-HB  
▶ PF-HB + ECV  
▶ PF-RB  
▶ PF-RB + ECV

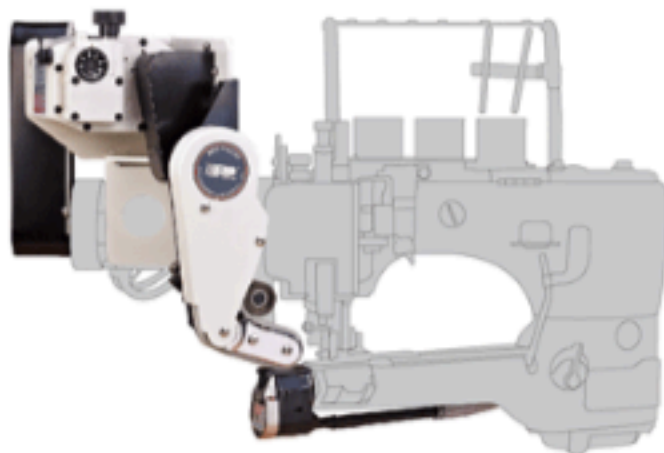
**PF-UB/EFV/AF**

厚物・極厚物用皮帶式拖輪  
(針距組: 9/64"x9/64"或1/8"x1/8"擇一選用)  
Belt Type Puller for Extra Heavy Duty  
(Gauge Set: 9/64" x 9/64" or 1/8" x 1/8" Alternative)

**PF-FB/EFV**

四針六線用皮帶式拖輪  
Belt Type Puller for Flat-Seamer

通用機型:  
Adaptable Machine Model: U.S. 35800  
JUKI MS3580  
PEGASUS FV2  
YAMATO DT-30  
KANSAI SX6805



▶ PF-UB UNION SPECIAL 35800

▶ PF-FB + EFV JUKI MF3620