

# MD series

機械式鬆緊帶調節裝置

Mechanical Metering Device for Elastic Tape

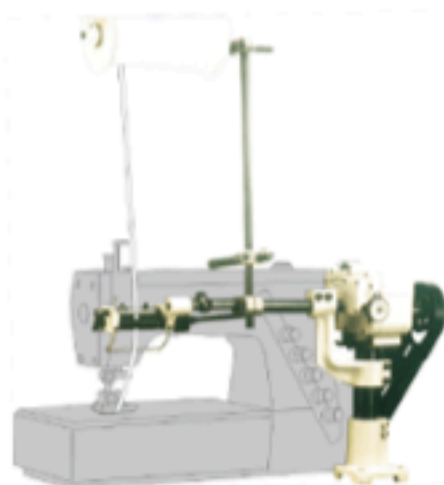
It pulls a great deal by Working with Racing device

**MDL 31-2** 人字車用專用型 (基座固定於機頭上)  
FOR SPECIFIC ZIG-ZAG (Base is mounted on the machine head)



▶ MDL 31

**MDL 30-2** 包縫車用 (基座固定於車板上)  
FOR COVERSTITCH (Base is mounted on the table)



▶ MDL 30

**MDK 61-2** 包縫車專用型 (基座固定於機頭上)  
FOR SPECIFIC OVERLOCK (Base is mounted on the machine head)



**MDK 60-2** 包縫車 (基座固定於車板上)  
FOR OVERLOCK (Base is mounted on the table)



## MD 訂貨說明 Order Guide

**MD L 31 2 JUKI LZ2280N - 7**

**1** ● 機械式鬆緊帶調節機  
● Mechanical Metering Device for Elastic Tape

**4** ● 送帶寬度：  
● Feeding Width：  
2 : 2" (50mm)  
4 : 4" (100mm)

**2** ● 分類：  
● Sewing Machine Type：  
L : 平床車用 Flatbed Machine  
k : 包縫車用 Overlock

**5** ● 安裝縫紉機廠牌機型  
● Adaptable Sewing Machine and Model

**3** ● 代號：  
● Code：

30-60 基座固定於車板上  
30.60 Base is mounted on the table  
31-61 基座固定於機頭上  
31.61 Base is mounted on the machine head.

**6** ● 自動切線及附屬配件編號  
● Auto Thread Trimmer or Other Attachment Device Number