



1.3MP VF Vandal-resistant Network IR Fixed Dome Camera

IPC341LR-V



Key Features

Optics

- λ Day/night functionality
- λ Smart-IR technology
- λ Lowlight surveillance

Compression

- λ Triple streams
- λ ROI (Region of Interest)
- λ 9:16 corridor mode
- λ Customized OSD

Network

- λ ONVIF Conformance

Structure

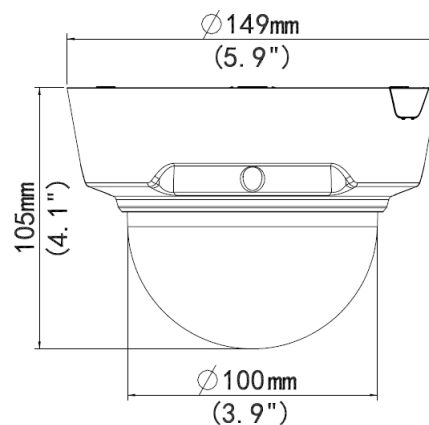
- λ Wide temperature range: -35°C to 60°C (-31°F to 140°F)
- λ Wide voltage range of ±25%
- λ IK10 vandal resistant
- λ IP66

Specifications

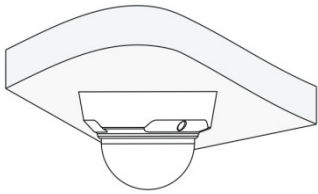
	IPC341LR-V
Camera	
Sensor	1/3", 1.3 megapixel, progressive scan CMOS
Shutter	Auto/Manual, 1/6~1/8000 s
Lens	2.8~12 mm @ F1.4; Angle of View (H): 90° (wide) ~28° (tele)
Zoom/Focus	Manual
Min. Illumination	Colour: 0.06 Lux (F1.4, 50IRE) Black & White: 0.03Lux (F1.4, 50IRE)
Day/Night	IR-cut filter with auto switch (ICR)

S/N	>50dB
Video	
Max. Resolution	1280 x 960
Video Compression	H.264,MJPEG
Frame Rate	960P (1280×960):Max.30 fps; 720P (1280×720):Max.30 fps; D1 (720×576):Max.25 fps
9:16 Corridor Mode	Supported
ROI	Supported
Video Streaming	Triple
OSD	Up to 8 OSDs
Privacy Mask	Up to 4 areas
Audio	
Audio Compression	G.711
Two-way audio	Supported
Storage	
Edge Storage	Micro SD, up to 64 GB
Network	
Protocols	L2TP,IPv4,IGMP,ICMP,ARP,TCP,UDP,DHCP,PPPoE,RTSP,RTSP,Qos,NTP,FTP,HTTP,SNMP,SIP
Compatible Integration	ONVIF, IMOS,API
Interface	
Audio I/O	Audio cable
	Input: impedance 35 kΩ; amplitude 2 V [p-p]
	Output: impedance 600 Ω; amplitude 2 V [p-p]
Alarm I/O	1 / 1
Network	10M/100M Base-TX Ethernet
General	
Power	12 V DC, or PoE (IEEE802.3 af)
	Power consumption: 3.5W(5.5W with IR on)
Dimensions (∅ x H)	∅149 x 105 mm (∅5.9" x 4.1")
Weight	0.75 kg (1.7 lb)
Working Environment	-35°C ~ +60°C (-31°F ~ 140°F), Humidity ≤ 90% RH(non-condensing)
Vandal Resistant	IK10
Ingress Protection	IP66

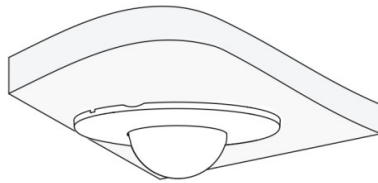
Dimensions



Installation



Ceiling mount



In-ceiling mount

Accessories

Installation mode	Accessories	Description
Ceiling mount	Mounting pedestal is included in the product package	For indoor ceiling installation
In-ceiling mount	TR-FM152-IN bracket	For indoor in-ceiling installation
Wall mount	TR-WM04-IN	For indoor wall installation, including junction box
	TR-JB07/WM04-IN	For outdoor wall installation, including junction box
Pendant mount	TR-UF45-IN+ TR-CE45-IN	\

Zhejiang Uniview Technologies Co., Ltd.

South Tower, Building 10, Wanlun Science Park, 88 Jiangling Road, Hangzhou, P.R.China 310051

Email: overseasbusiness@uniview.com; globalsupport@uniview.com

<http://www.uniview.com>

©2015 Zhejiang Uniview Technologies Co., Ltd. All rights reserved.

*Product specifications and availability are subject to change without notice.