

FOR INTERNAL USE ONLY

ENGINEERING PRODUCT RELEASE

Value Shopper w/ Standard Basket

Revision Table			
Rev	Description	Date	ECN
X	Engineering Release	3/1/2019	190217



Weight Capacity	User: 500 LB (227 KG)
Forward Speed	Variable : 0-2.3 mph (0-3.7 kph)
Reverse Speed	Variable : 0-1.7 mph (0-2.7 kph)
Battery Capacity	11.5 hours*

*Battery capacity is subject to the following variables:

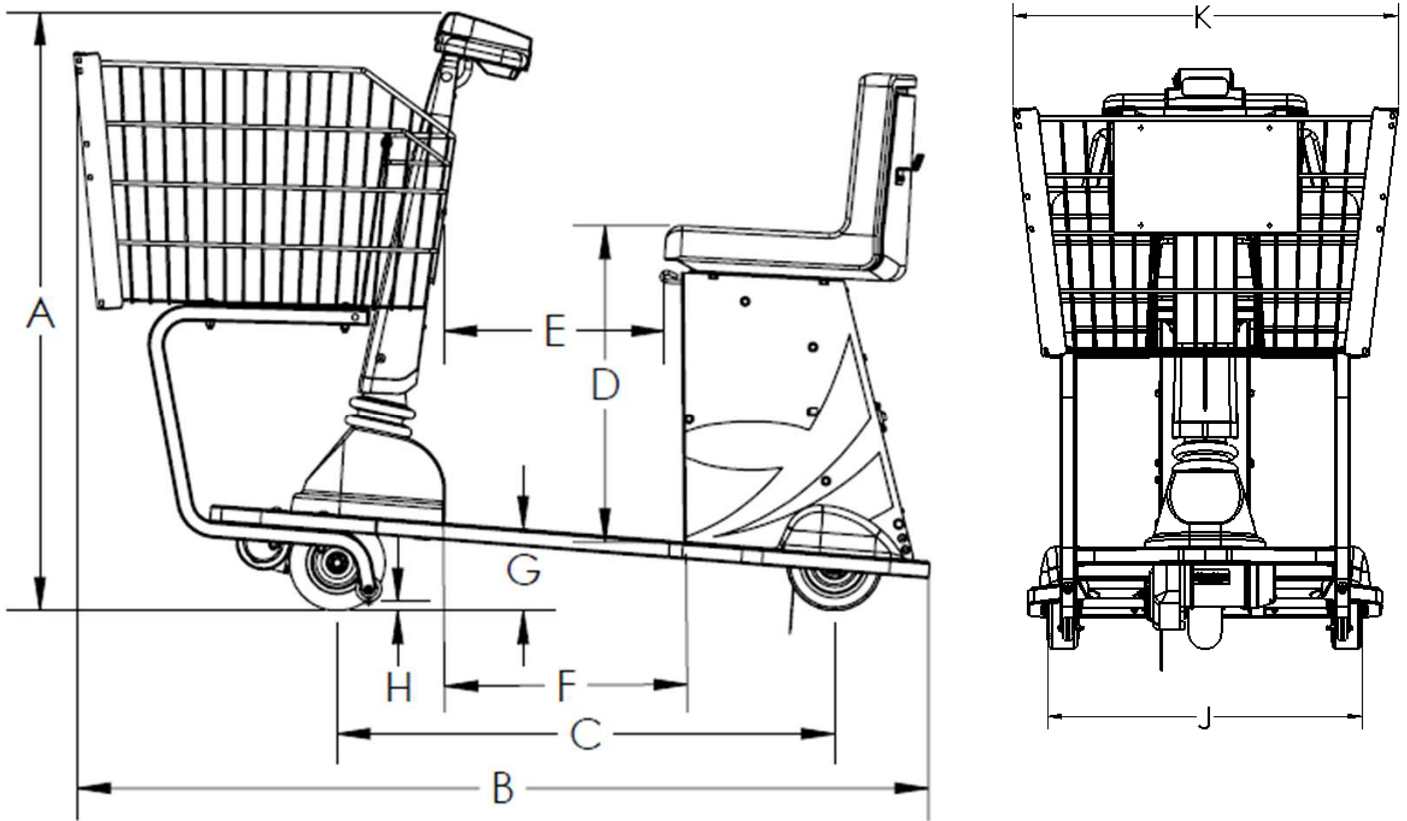
1. Battery capacity (value based on 35 amp-hour)
2. Loading conditions
3. Ambient temperature
4. Driving terrain/gradient
5. Charging routine/level of charge

Turning Radius	32.125 in (81.6 cm)
Turning Corridor	66 in (167.6 cm)
Signage	Warning/Operating signs
Charger	Onboard 24V 3amp
Drive	Front drive sealed gear box
Brake	Electromagnetic, dynamic and regenerative
Color	Platform: Black, other options available Label: Blue, other options available
Mat	Black anti-slip
Platform	Steel platform with plastic covers
Seating	Fixed position w/ seat switch , 20" wide x 11.5" Seat back x 14" seat depth (51 x 29 x 35.5 cm)
Front Wheels	Flat-Free 6" x 2" (15 x 5 cm)
Rear Wheels	Flat-Free 6" x 2" (15 x 5 cm)

FOR INTERNAL USE ONLY

ENGINEERING PRODUCT RELEASE

Value Shopper w/ Standard Basket



	Dimension	Inches	Centimeters
A	Height	37.5	95.25
B	Overall length	55	139.7
C	Wheel base	32	81.3
D	Seat height from Base	19.75	50.165
E	Leg room	14.25	36.2
F	Foot room	15	38.1
G	Step on height	5	12.7
H	Stability wheel height	0.75	1.9
J	Wheel to wheel width	20	50.8
K	Overall width	25.25	64.14

	Pounds	Kilograms
Overall Weight	170*	77*

*Weight based on size of batteries (value based on 35 amp-hour batteries)