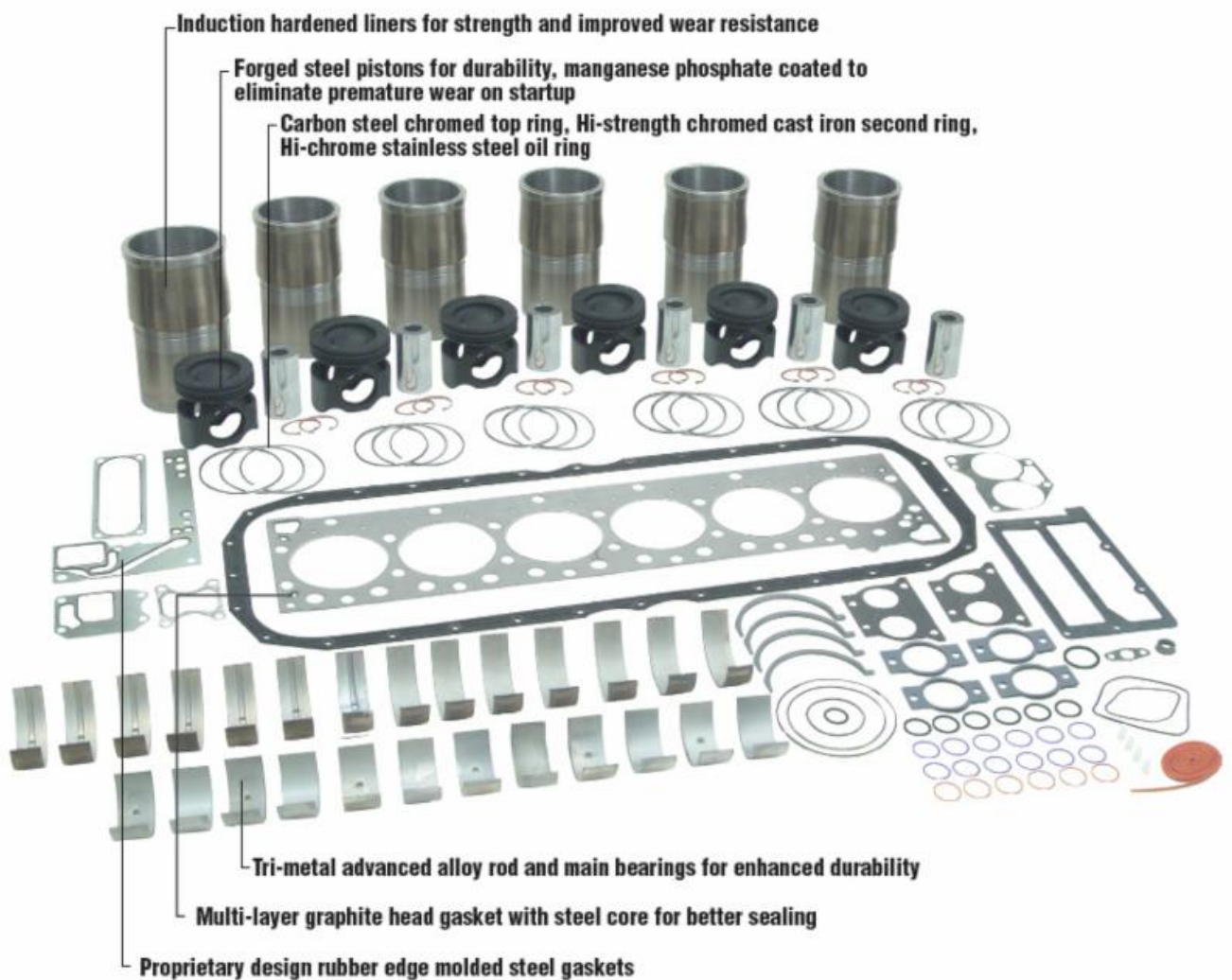




**AFA is your source for ISX/QSX
In-Frame, Overhaul Kits and Replacement Parts**



AFA Industries carries a complete line of Cylinder Kits, Piston Kits and In-Frame Overhaul Kits for the Cummins® ISX/QSX engine families. Also available are Pistonless cylinder kits, In-Frame Overhaul Kits for engine repairs when the pistons can be cleaned and re-used.

Valve train parts, Water and Oil pumps, Cooling System Components, Fuel System Components, and other engine parts to help you repair most components for the ISX engine. Contact your local sales representative or AFA Certified Distributor for more information.

AFA Also Has Complete In-Frame and Overhaul Kits for the Following Cummins Engines:

B Series	C Series	ISB/QSB
ISC/QSC	K Series	ISL/QSL
L10/M11	ISM/QSM	Small Vee
V903	V1710	NH220
855	N14	ISX/QSX

Since 1987, AFA Industries has been manufacturing and supplying Cummins® engine parts and kits to domestic and diverse international markets. Our parts are in service in remote locations under harsh operating conditions, demanding superior quality and durability. AFA offers the most extensive warranty coverage program in the heavy duty engine parts industry.