

WEB-8000 Controller

SPECIFICATION DATA



SPECIFICATIONS

TI AM3352: 1000MHz ARM® Cortex™-A8

1GB DDR3 SDRAM

**Removable micro-SD card with 4GB flash total storage/
2GB user storage**

Wi-Fi (Client or WAP)

IEEE802.11a/b/g/n

IEEE802.11n HT20 @ 2.4GHz

IEEE802.11n HT20/HT40 @ 5GHz

Configurable radio (Off, WAP, or Client)

WPAPSK/WPA2PSK supported

USB type A connector

Back-up and restore support

(2) isolated RS-485 with selectable bias and termination

(2) 10/100MB Ethernet ports

Secure boot

24VAC/DC power supply

Runs WEBs-4.1 and later

Real time clock

Batteryless

OVERVIEW

The WEB-8000 is a compact, embedded IoT (Internet of Things) controller and server platform for connecting multiple and diverse devices and sub-systems. With Internet connectivity and Webserving capability, the WEB-8000 controller provides integrated control, supervision, data logging, alarming, scheduling and network management. It streams data and rich graphical displays to a standard Web browser via an Ethernet or wireless LAN, or remotely over the Internet.

The licensing model for the WEB-8000 controller is simplified and features standard drivers along with optional IO and field bus expansion modules for ultimate flexibility and expandability. The WEB-8000 controller operates with WEBs-N4, the latest version of the Niagara Framework®, for optimum performance. In larger facilities, multibuilding applications and large-scale control system integrations, WEBs-N4 Supervisor can be used with WEB-8000 controllers to aggregate information, including real-time data, history and alarms, to create a single, unified application.



Expansion Module and IO Configurations

MAXIMUM EXPANSION MODULES SUPPORTED

NPB-8000-LON: 4
 NPB-8000-232: 4
 NPB-8000-2X-485: 2

MAXIMUM IO MODULES SUPPORTED

IO-16-REM-H: 16*

* Remote IO connection using RS-485 wiring

AGENCY CERTIFICATIONS

UL 916
 CE EN 61326-1
 FCC Part 15 Subpart B, Class B
 FCC Part 15 Subpart C
 C-UL listed to Canadian
 Standards Association (CSA)
 C22.2 No. 205-M1983
 "Signal Equipment"
 1999/5/EC R&TTE Directive
 CCC
 SRRC
 RSS
 ROHS

EXPANSION 1	EXPANSION 2	EXPANSION 3	EXPANSION 4
232 or LON	232 or LON	232 or LON	232 or LON
485 485	232 or LON	232 or LON	232 or LON
485 485	485 485	232 or LON	
485 485	485 485		

ENVIRONMENTAL SPECIFICATIONS

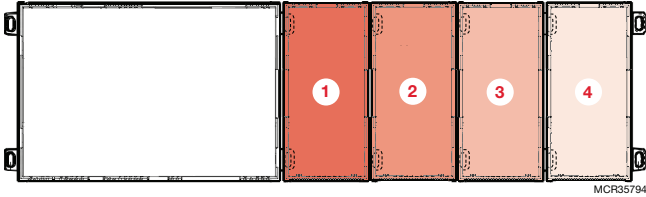
Operating temperature: -20–60°C

Storage temperature: -40–85°C

Humidity: 5%–95% — Non condensing

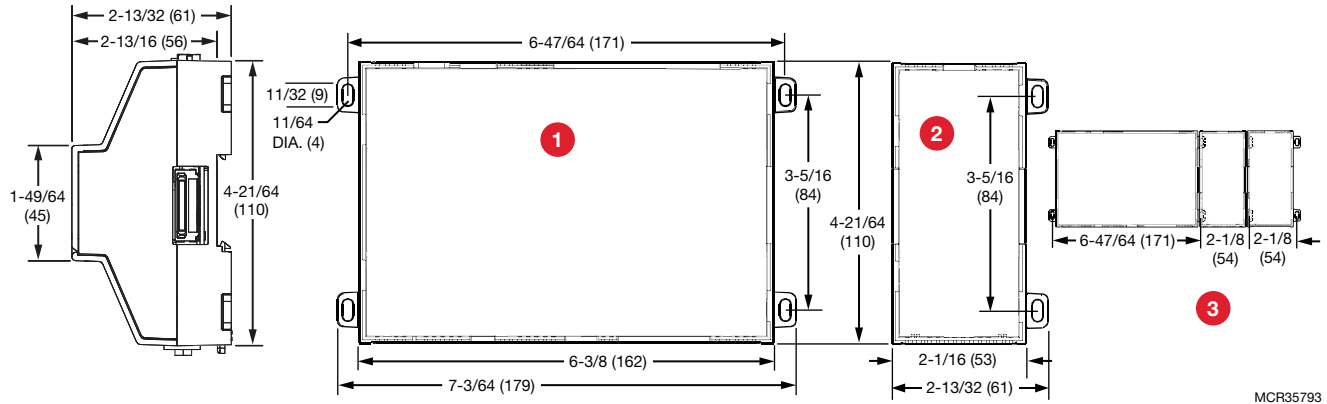
Shipping & vibration: ASTM D4169, Assurance Level II

MTTF: 10 years+



WEB-8000 CONTROLLER MOUNTING & DIMENSIONS

1. WEB-8000 controller. Allow at least 1.5" (38mm) clearance around all sides and minimum 3" (76mm) at bottom for Wi-Fi antenna
2. Expansion module. Up to four (4) may be used.
3. See "Expansion Module and IO Configurations" Distances between center of tabs from one unit to another unit



MCR35793

Compatible with (DIN43880) enclosures

Suitable for mounting to a panel or to an EN50022 standard 35mm rail

ORDERING INFORMATION

Part Number	Description
WEB-8000	Base unit includes two isolated RS485 ports, two 10/100MB Ethernet ports, USB Backup & Restore and Wi-Fi connectivity
WEB-8000-DEMO	Base unit includes two isolated RS485 ports, two 10/100MB Ethernet ports, USB Backup & Restore, Wi-Fi connectivity, all available Tridium drivers and a 500 device license. Hardware Accessories purchased separately
NC-8005	Up to 5 devices/250 point core
NC-8010	Up to 10 devices/500 point core
NC-8025	Up to 25 devices/1,250 point core
NC-8100	Up to 100 devices/5,000 point core
NC-8200	Up to 200 devices/10,000 point core
DEVICE-10	Up to 10 devices/500 point upgrade (can be purchased during initial licensing)
DEVICE-25	Up to 25 devices/1,250 point upgrade (can be purchased during initial licensing)
DEVICE-50	Up to 50 devices/2,500 point upgrade (can be purchased during initial licensing)
DEVICE-UP-10	Up to 10 devices/500 point upgrade (can be purchased post initial licensing)
DEVICE-UP-25	Up to 25 devices/1,250 point upgrade (can be purchased post initial licensing)
DEVICE-UP-50	Up to 50 devices/2,500 point upgrade (can be purchased post initial licensing)
WEB-8000-AX	Enables WEB-8000 controller to run Webs-AX (3.8U). 3.8U Build with JACE 8000 controller support
NPB-8000-2X-485	WEB-8000 controller — add on dual port RS-485 module
NPB-8000-LON	WEB-8000 controller — add on single port LON FTT10A module
NPB-8000-232	WEB-8000 controller — add on single port RS-232 module
WPM-8000	Universal power supply for WEB-8000 controller
T-IO-16-485	Remote IO module, compatible with the WEB-8000 controller. Communication using RS 485, maximum IO supported IO-16-REM-H modules: 16
NPB-PWR-H	24V power supply for IO-16-REM-H
NPB-PWR-UN-H	Universal power supply for IO-16-REM-H

* All NC-8XXX parts include a WEBS-N4 license and Tridium's standard driver suite. Please see Tridium standard driver suite documentation for more details.

By using this Honeywell literature, you agree that Honeywell will have no liability for any damages arising out of your use or modification to, the literature. You will defend and indemnify Honeywell, its affiliates and subsidiaries, from and against any liability, cost, or damages, including attorneys' fees, arising out of, or resulting from, any modification to the literature by you.

Automation and Control Solutions

Honeywell International Inc.
1985 Douglas Drive North
Golden Valley, MN 55422
customer.honeywell.com

Honeywell

© U.S. Registered Trademark
© 2015 Honeywell International Inc.
31-00092—01 M.S. 12-15
Printed in United States