



Drive Snout & Cover (For Ultimate Unit Bearings)

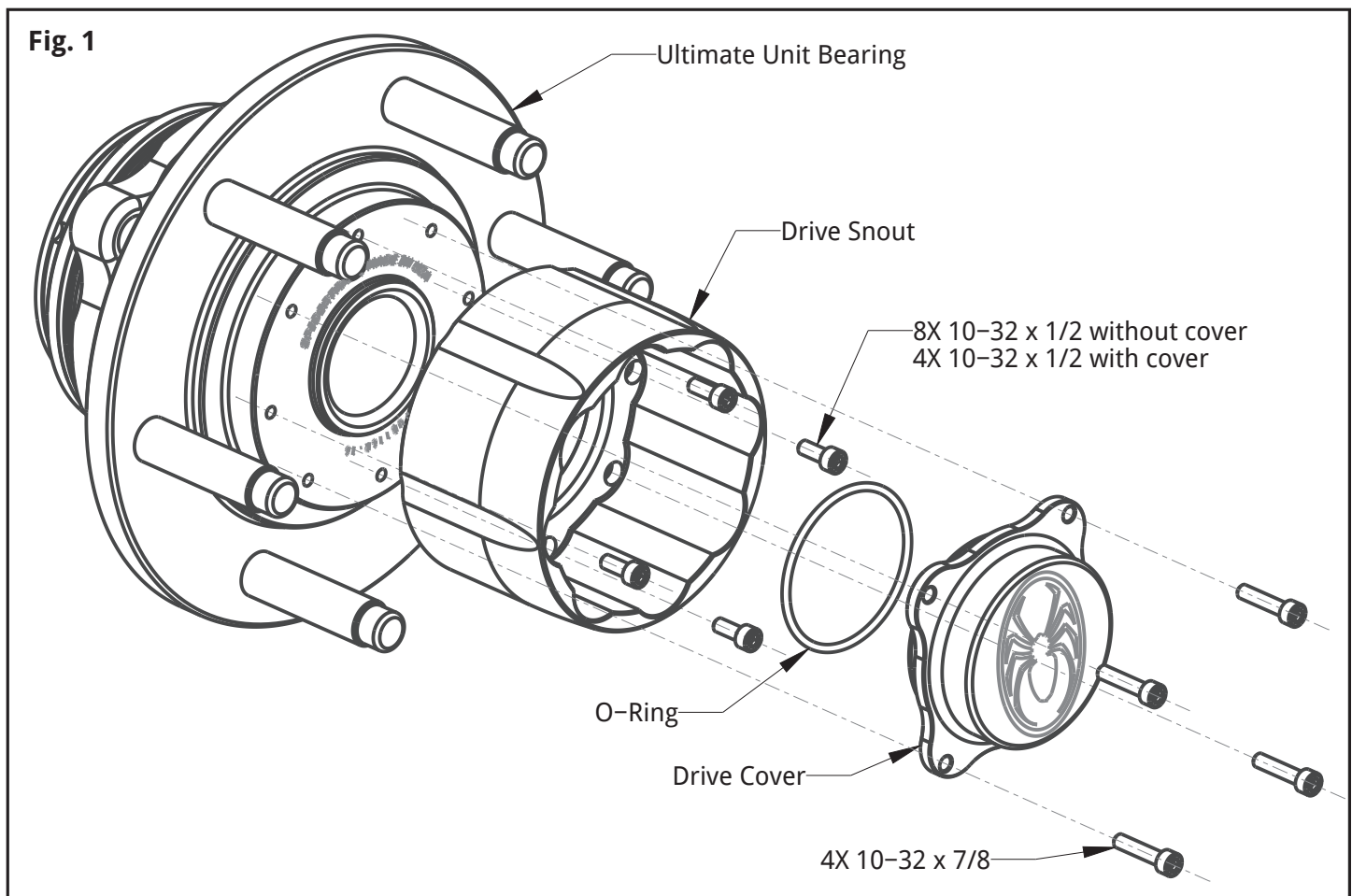
General Description

Make your pit crew, and back, happy with the Spidertrax Drive Snout. Designed to bolt-on to Spidertrax Ultimate Unit Bearings, the drive snout allows for easier tire changes by giving the wheel & tire a place to rest during install. Perfect for go-fast racing events where the speed of a tire change matters. While your pit crew, and back, are happy with the Spidertrax Drive Snout, the Drive Cover completes the assembly for rear axles. Not only will the Drive Cover keep your rear axle shafts where they belong, but our unique 2-piece design allows for quick access to those same shafts. Just four bolts like our standard covers and axle shafts can be pulled, inspected, and installed. The Drive Cover also comes with an upgraded o-ring design, perfect when running gear oil out to the Ultimate Unit Bearing. As with all of our products, we proudly design & manufacture Drive Snouts & Covers in Loveland, Colorado.

When installing a Spidertrax Drive Snout & Cover, please note these following tips:

1. Drive Snouts are designed to work on all front and rear applications running Ultimate Unit Bearings. Install Drive Snout as per Fig. 1.
2. Drive Covers are designed to work on rear full float applications running Ultimate Unit Bearings & Drive Snouts. Install Drive Cover & o-ring as per Fig. 1.

Spidertrax Disclaimers & Warranty Card is located on the back of these instructions.





SPIDERTRAX
OFF-ROAD

Disclaimers & Warranty

WARNING

INSTALLATION OF ANY COMPONENT OR SYSTEM SHOULD ONLY BE PERFORMED BY THOSE EXPERIENCED IN AUTOMOTIVE MECHANICS AND PROCEDURES.

Spidertrax warrants only to the original purchaser that all products will be free from defects in materials and workmanship. The foregoing warranty is subject to the proper installation, operation and maintenance of the product in accordance with the installation instructions supplied. Warranty claims must be made by the purchaser in writing within 30 days of the manifestation of a problem and purchaser must present acceptable proof of original ownership (such as copy of original receipt). Spidertrax reserves the right, before having any obligation under this Limited Lifetime Warranty, to inspect the damaged product and all costs of shipping the product to Spidertrax for inspection shall be borne solely by the purchaser. Spidertrax's sole obligation under the foregoing warranty is, at Spidertrax's option, to repair, replace or correct any such defect that was present at the time of delivery. The foregoing warranty is not transferable to another party and does not apply to any purchaser who bought the product from a reseller or distributor not authorized by Spidertrax.

FOR OFF-ROAD USE ONLY

DRIVE THE VEHICLE UNDER CONTROLLED CONDITIONS TO ENSURE PROPER INSTALLATION OF COMPONENTS. GRADUALLY WORK UP TO FOUR WHEELING SPEEDS.



Drive Snout & Cover Installation Instructions

ISTFUBDX-10