



## Wheel Spacer/Adapter Kit Instructions (For M14 Wheel Studs)

### General Description

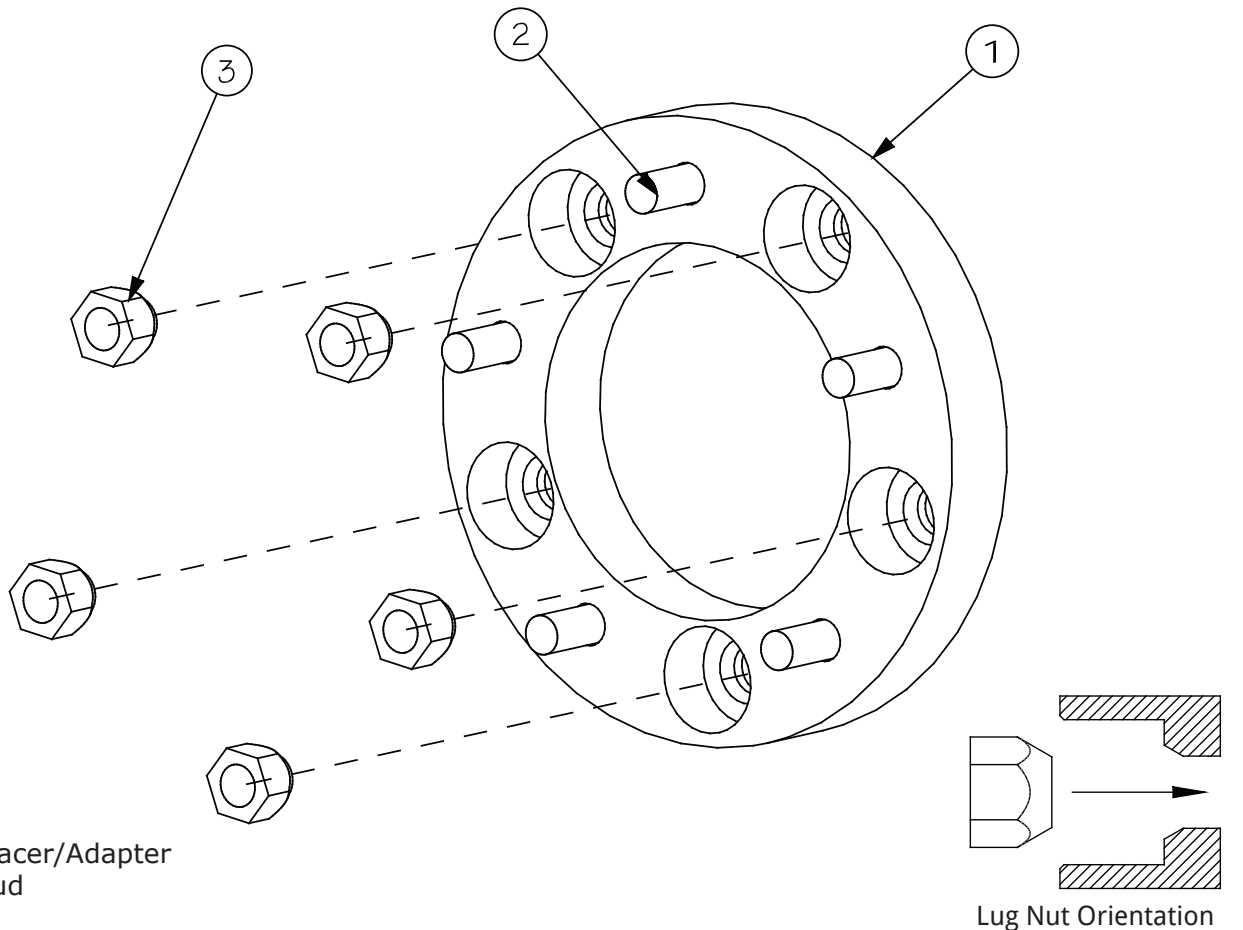
Each Spidertrax Wheel Spacer/Adapter Kit comes complete with 2 wheel spacers/adapters, grade 10.9+ wheel studs (pre-installed), lug nuts, and thread locker. All Spidertrax wheel spacers/adapters are color anodized, using a double anodizing process for twice the corrosion resistance. Proudly designed & manufactured in Loveland, Colorado.

To install the Spidertrax Wheel Spacer/Adapter Kit, follow these steps:

1. Remove tire as per factory Service Manual procedure. Remove drum/rotor retainer clip(s) if present.
2. Have another person apply brakes to prevent drum/rotor from spinning. Apply provided thread locker to factory wheel studs and assemble spacer/adapter to drum/rotor face by torquing provided wheel spacer/adapter lug nuts to **130 ft-lbs** as shown in **Fig. 1 (DO NOT use more than one spacer/adapter per wheel and DO NOT use an impact gun)**. Once installed, be sure OEM wheel studs DO NOT extend past wheel mounting surface of wheel spacer/adapter.
3. Install factory steel/aluminum wheel to wheel spacer/adapter using existing lug nuts. Tighten lug nuts in a criss-cross pattern to factory Service Manual procedure.
4. To ensure wheel spacer/adapter lug nuts are properly seated, after driving 50 miles remove wheel and check wheel spacer/adapter lug nuts by torquing them at 120 ft-lb. **If wheel spacer/adapter lug nuts move at all when torqued at 120 ft-lb, go back to Step 2 and repeat installation.** Otherwise, move on to Step 5.
5. Re-assemble wheel to wheel spacer/adapter using existing lug nuts. Tighten lug nuts in a criss-cross pattern to factory Service Manual procedure.

**Spidertrax Disclaimers & Warranty Card is located on the back of these instructions.**

**Fig. 1**





**SPIDERTRAX**  
OFF-ROAD

## Disclaimers & Warranty

**WARNING**

INSTALLATION OF ANY COMPONENT OR SYSTEM SHOULD ONLY  
BE PERFORMED BY THOSE EXPERIENCED IN AUTOMOTIVE  
MECHANICS AND PROCEDURES.

Spidertrax warrants only to the original purchaser that all products will be free from defects in materials and workmanship. The foregoing warranty is subject to the proper installation, operation and maintenance of the product in accordance with the installation instructions supplied. Warranty claims must be made by the purchaser in writing within 30 days of the manifestation of a problem and purchaser must present acceptable proof of original ownership (such as copy of original receipt). Spidertrax reserves the right, before having any obligation under this Limited Lifetime Warranty, to inspect the damaged product and all costs of shipping the product to Spidertrax for inspection shall be borne solely by the purchaser. Spidertrax's sole obligation under the foregoing warranty is, at Spidertrax's option, to repair, replace or correct any such defect that was present at the time of delivery. The foregoing warranty is not transferable to another party and does not apply to any purchaser who bought the product from a reseller or distributor not authorized by Spidertrax.

**FOR OFF-ROAD USE ONLY**

DRIVE THE VEHICLE UNDER CONTROLLED CONDITIONS TO  
ENSURE PROPER INSTALLATION OF COMPONENTS. GRADUALLY  
WORK UP TO FOUR WHEELING SPEEDS.



**SPIDERTRAX**  
OFF-ROAD

## Wheel Spacer/Adapter Kit (M14) Installation Instructions