

Power V™ Inversion Table

Patent applies.

PRE-ASSEMBLY

Before you begin: These instructions will guide you in properly assembling the unit. Please review all the steps before beginning assembly. Carefully adhere to the Assembly Instructions and Owner's Manual to help ensure user safety and product integrity.

⚠ WARNING

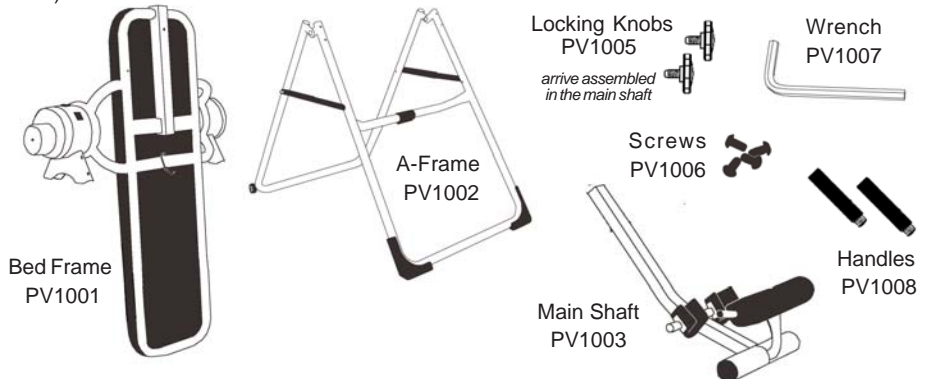
1. It is your responsibility to familiarize yourself with the proper use of the equipment and the inherent risks of inversion, such as falling on your head or neck, pinching, entrapment or equipment failure.
2. This product is not designed for persons over 6'6" (198 cm) or 300 lbs (136 kg). Structural failure could occur or head/neck may impact floor during inversion. Serious injury or death could result.
3. DO NOT use the equipment without a licensed physician's approval and a review of the medical contraindications, as noted in the Owner's Manual.
4. Failure to assemble and/or use the equipment as directed may void the manufacturer's warranty on this product and could result in injury or death.
5. DO NOT use the inversion table until you have thoroughly and carefully read the Owner's Manual, reviewed all other accompanying documents, and inspected the equipment.
6. This product requires a grounded outlet. Improper connection to a 3-prong grounded outlet can result in electrical shock.
7. Choose a level surface for assembling and operating the table.
8. Follow each step in sequence. Do not skip ahead.
9. Make sure that all fasteners are secure.
10. PRIOR TO USE, test and inspect the table. Make sure that the table rotates smoothly to the inverted position and back.
11. Replace defective components immediately and/or keep the equipment out of use until repair.
12. Refer to additional warning notices and information posted on the equipment.

Carefully remove the individual parts from the carton. You should have all of the items listed below. If any items are missing or damaged, contact your retailer or customer service directly (See reverse side).

ITEMS FOR ASSEMBLY

ITEM #'s

Bed Frame	PV1001
A-Frame	PV1002
Main Shaft	PV1003
Locking Knobs (2)	PV1005
Screws (4)	PV1006
Wrench	PV1007
Handles (2)	PV1008



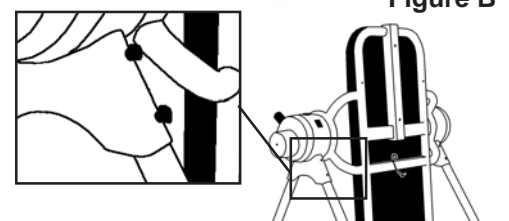
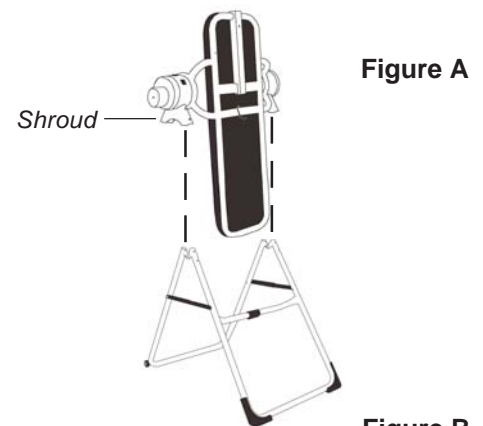
ASSEMBLY

Note: The Bed Frame arrives rotated into the fully inverted position. This is the most convenient position from which to begin the assembly process.

STEP ONE

Attach the Bed Frame (PV1001) on the A-Frame (PV1002)

- Open the A-frame and make sure that the spreader arms are locked flat.
- Lift the Bed Frame (the logo on the bed will be facing the rear) and place the shrouds over the top of the A-Frame legs. (See Figure A) **WARNING: Bed Frame weighs 50 lbs. If you are unsure of your ability to comfortably lift this weight, please seek assistance in assembling this product.**
- Make sure Bed Frame rests evenly on the A-Frame and that the holes are aligned.
- Insert and tighten the Screws (PV1006) into the shrouds on both sides of the Bed Frame. (See Figure B)
- Tighten with the wrench provided.



⚠ WARNING

Ensure the Bed-Frame is securely attached to the A-frame and that the A-frame sits evenly on the floor. Improper assembly could cause serious injury or death.

ASSEMBLY

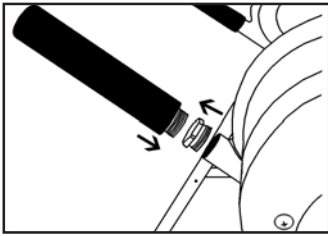


Figure C

STEP TWO

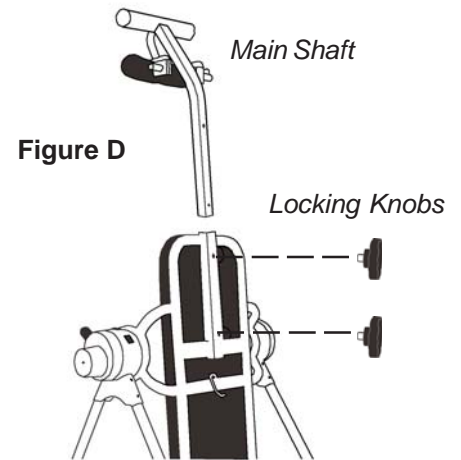
Attach the Handles (PV1008)

- Remove the pre-assembled shipping screws in the Handle arms and discard.
- Insert and screw in the Handles into the arms of both sides of the Bed Frame (Figure C).

STEP THREE

Secure Main Shaft (PV1003) to Bed Frame (PV1001)

- Remove the Locking Knobs (PV1005) from the holes in the Main Shaft (they are pre-assembled for shipping purposes).
- Insert the Main Shaft into the Bed Frame. (See Figure D)
- Line up the holes on the back of the bed with those on the Main Shaft. Insert and hand-tighten both Locking Knobs to secure the Main Shaft to the Bed Frame.



WARNING

Failure to secure Locking Knobs could cause head to impact the floor, resulting in serious injury or death.



Figure E

STEP FOUR

Connect cord to the power source

- Attach the power cord on the Bed Frame to the receptor. (Figure E)
- Connect the power source cord to an outlet and rotate the bed upright (Figure F) using the Rotation Control Button (the button toward the rear of the table).
- Push the Ankle Clamp Adjustment button (the button toward the front of the table) to ensure the front clamps operate smoothly. If there is a failure of one or both buttons or the parts do not operate smoothly there is a malfunction and you should contact customer service.

GROUNDING INSTRUCTIONS

This product must be grounded. If it should malfunction or breakdown, grounding provides a path of least resistance for electric current to reduce the risk of electric shock. This product is equipped with a cord having an equipment-grounding conductor and a grounding plug. The plug must be plugged into an appropriate outlet that is properly installed and grounded in accordance with all local codes and ordinances.

DANGER - Improper connection of the equipment-grounding conductor can result in a risk of electric shock. Check with a qualified electrician or serviceman if you are in doubt as to whether the product is properly grounded. Do not modify the plug provided with the product - if it will not fit the outlet, have a proper outlet installed by a qualified electrician.

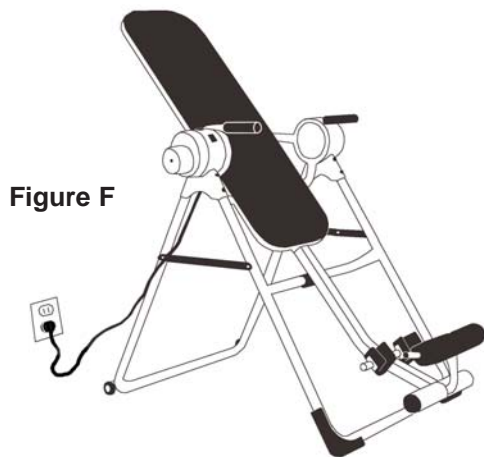


Figure F

You have completed assembly of the Power V™ Inversion Table

- Read your Owner's Manual thoroughly before using the inversion table.
- For your reference, the table's serial number can be found on a sticker mounted to the motor housing.

For information about the Teeter Hang Ups® 2-year warranty, to order replacement labels or manuals, or if you have any problems assembling the equipment or questions about its use, please contact Customer Service at the appropriate location below:

USA & Canada:

STL International, Inc.
9902 162nd St. Ct. E., Puyallup, WA 98375
Toll Free (Phone) 800-847-0143 (Fax) 800-847-0188
Local (Phone) 253-840-5252 (Fax) 253-840-5757
(email) Info@STLIntl.com
(web) www.STLIntl.com

International:

Inversion International, Ltd.
PO Box: AP 59245, New Providence Island, Bahamas
(Phone) +1-242-362-1001
(Fax) +1-242-362-1002
(email) Info@InversionInternational.com
(web) www.InversionInternational.com

Patent applies.

Teeter Hang Ups® is a registered trademark of STL International, Inc. and Inversion International, Ltd. Specifications subject to change without notice.

©COPYRIGHT 2004, STL International, Inc. and Inversion International, Ltd.
International Law Prohibits Any Copying, 12/04-1