

User Instructions

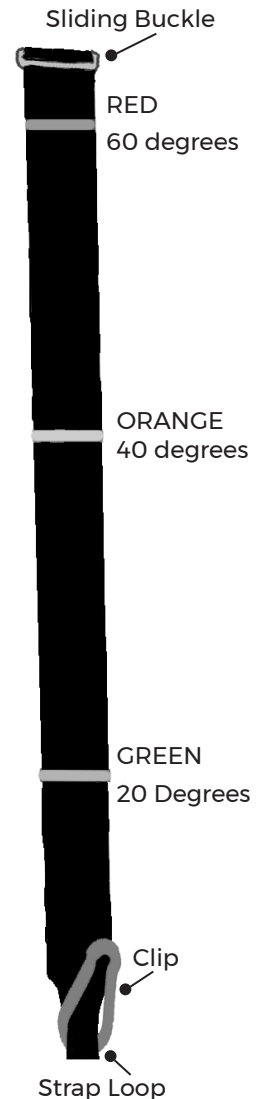
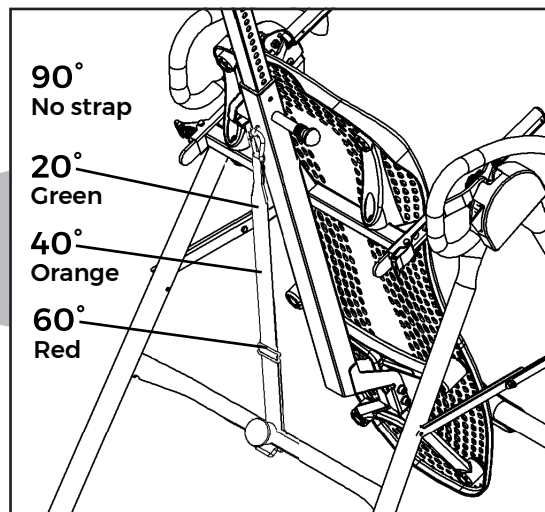
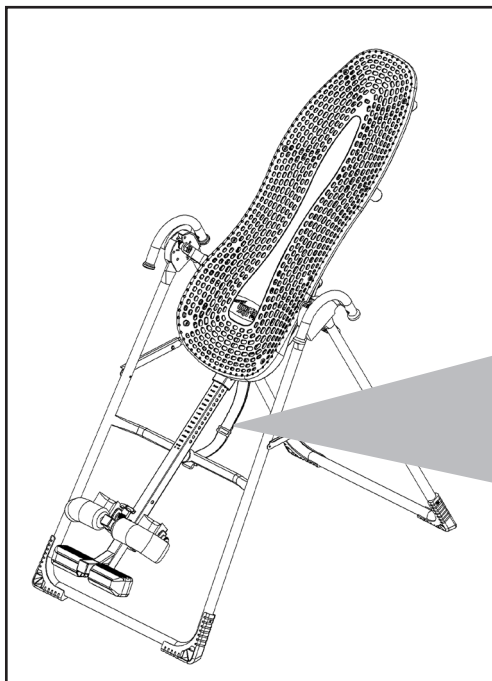


EZ-Angle™ Tether Strap

Assembly

(only necessary if the tether strap is not pre-assembled.)

- Remove the pre-assembled clip from the strap loop. Hold the tether strap with markers facing up and insert the strap loop through the FRONT of the designated loop on the A-Frame.
- Without pulling the strap entirely through the loop, insert the strap loop through the bottom opening of the buckle, and then again through the top opening.
- Continue pulling on the tip of the strap loop until fitted snugly around the A-Frame crossbar.
- Slide the buckle so that your desired colored marker shows through the center of the buckle. Hook the clip to the strap loop and secure at the base of the table bed.



Easy-to-Use

Slide the buckle to the...

- Green marker for inversion to a gentle 20°.
- Orange marker for inversion to a moderate 40°.
- Red marker for inversion to a more advanced 60°.
- OR remove the tether strap entirely for full inversion, stretching and exercise!

800.847.0143 | teeter.com