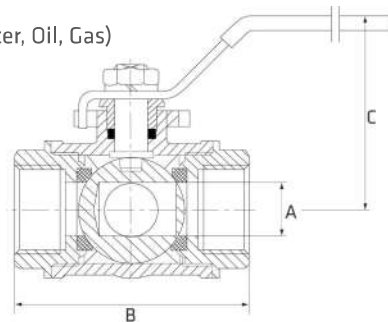


# L Port Valve

Stainless Grade 316

## Features

- BSP threaded ends
- Maximum pressure 1000PSI / 69Bar W.O.G. (Water, Oil, Gas)
- PTFE seal maximum temperature 250°C
- Lockable latch handle
- ISO5211 mounting pad
- Reduced port



## Dimensions

Unit: mm (unless stated otherwise)

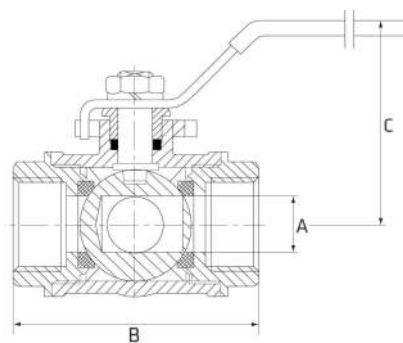
Size	6.35 1/4"	9.53 3/8"	12.7 1/2"	19.05 3/4"	25.4 1"	31.8 1 1/4"	38.1 1 1/2"	50.8 2"	63.5 2 1/2"	76.2 3"	101.6 4"
A	12.7	12.7	12.7	16	20	25	32	38	49	65	88
B	64	64	75	84	101	119	130	151	180	240	290
C	60	60	60	73	80	85	103	110	130	150	180
Code	SBVL06	SBVL09	SBVL12	SBVL20	SBVL25	SBVL30	SBVL40	SBVL50	SBVL65	SBVL75	SBVL100

# T Port Valve

Stainless Grade 316

## Features

- BSP threaded ends
- Maximum pressure 1000PSI / 69Bar W.O.G. (Water, Oil, Gas)
- PTFE seal maximum temperature 250°C
- Lockable latch handle
- ISO5211 mounting pad
- Reduced port



## Dimensions

Unit: mm (unless stated otherwise)

Size	6.35 1/4"	9.53 3/8"	12.7 1/2"	19.05 3/4"	25.4 1"	31.8 1 1/4"	38.1 1 1/2"	50.8 2"	63.5 2 1/2"	76.2 3"	101.6 4"
A	12.7	12.7	12.7	16	20	25	32	38	49	65	88
B	64	64	75	84	101	119	130	151	180	240	290
C	60	60	60	73	80	85	103	110	130	150	180
Code	SBVT06	SBVT09	SBVT12	SBVT20	SBVT25	SBVT30	SBVT40	SBVT50	SBVT65	SBVLT75	SBVT100

Stocked Items Non-Stocked Items