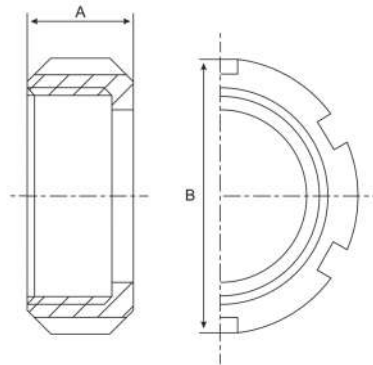


DIN Slotted Nut

Stainless Grade 304

"Can be used for
DIN and DIN Inch
Unions"

"RJT C Spanners
can be used for
DIN Slotted Nuts"



Dimensions

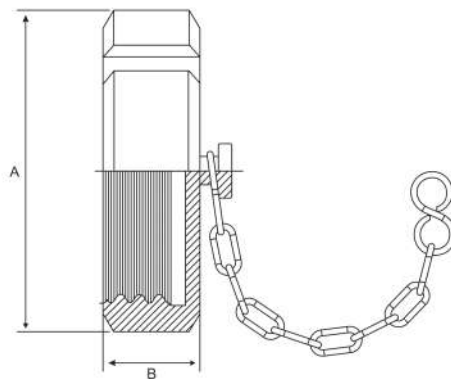
Unit: mm (unless stated otherwise)

Size	DN10	DN15	DN20	DN25	DN32	DN40	DN50	DN65	DN80	DN100	DN125	DN150
A	18	18	20	21	21	21	22	25	29	31	35	40
B	38	44	54	63	70	78	92	112	127	148	178	210
Code	DINSN10	DINSN15	DINSN20	DINSN25	DINSN32	DINSN40	DINSN50	DINSN65	DINSN80	DINSN100	DINSN125	DINSN150

DIN Blind Nut

Stainless Grade 304

"Can be used for
DIN and DIN Inch
Unions"



Dimensions

Unit: mm (unless stated otherwise)

Size	DN10	DN15	DN20	DN25	DN32	DN40	DN50	DN65	DN80	DN100	DN125	DN150
A	38	44	54	63	70	78	92	112	127	148	178	210
B	18	18	20	21	21	21	22	25	29	31	35	40
Code	DINBN10	DINBN15	DINBN20	DINBN25	DINBN32	DINBN40	DINBN50	DINBN65	DINBN80	DINBN100	DINBN125	DINBN150

Stocked Items Non-Stocked Items