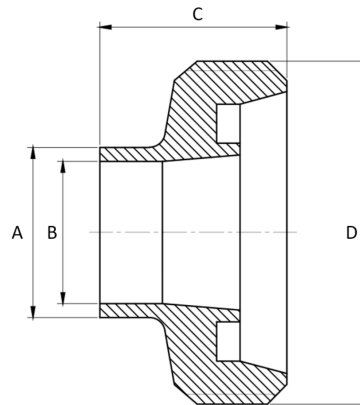


DIN Male Part

Stainless Grade 316

Features

- Butt welds to Diameter Nominal (DN) tube sizes



Unit: mm (unless stated otherwise)

Dimensions

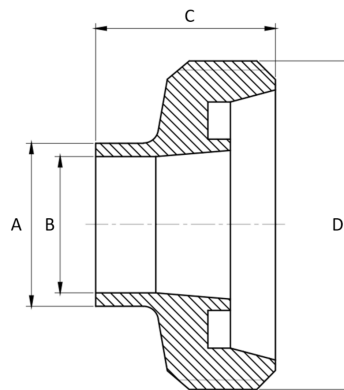
Size	DN10	DN15	DN20	DN25	DN32	DN40	DN50	DN65	DN80	DN100	DN125	DN150
A	12	18	22	28	34	40	52	70	85	104	129	154
B	9	15	19	25	31	37	49	66	81	100	125	150
C	21	21	24	29	32	33	35	40	45	54	46	50
D	28	34	44	52	58	65	78	95	110	130	160	190
Code	DINMP10	DINMP15	DINMP20	DINMP25	DINMP32	DINMP40	DINMP50	DINMP65	DINMP80	DINMP100	DINMP125	DINMP150

DIN Inch Male Part

Stainless Grade 316

Features

- Butt welds to Outside Diameter tube sizes



Unit: mm (unless stated otherwise)

Dimensions

Size	25.4 1"	31.8 1 1/4"	38.1 1 1/2"	50.8 2"	63.5 2 1/2"	76.2 3"	101.6 4"
A	25.4	31.8	38.1	50.8	63.5	76.2	101.6
B	22.2	28.6	34.9	47.6	59.5	72.2	97.4
C	29	32	33	35	40	45	54
D	52	58	65	78	95	110	130
Code	DINCHMP25	DINCHMP30	DINCHMP40	DINCHMP50	DINCHMP65	DINCHMP75	DINCHMP100

Stocked Items Non-Stocked Items