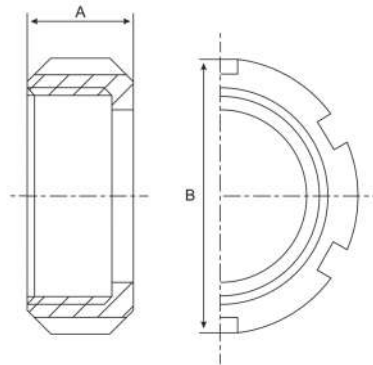


# DIN Slotted Nut

Stainless Grade 304

"Can be used for  
DIN and DIN Inch  
Unions"

"RJT C Spanners  
can be used for  
DIN Slotted Nuts"



## Dimensions

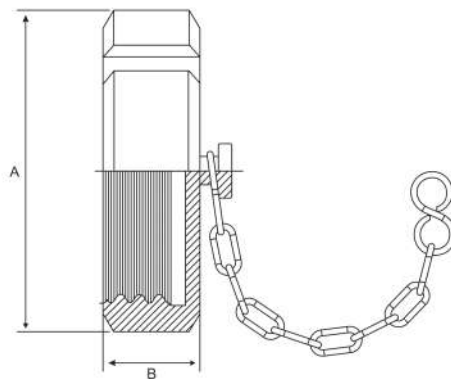
Unit: mm (unless stated otherwise)

Size	DN10	DN15	DN20	DN25	DN32	DN40	DN50	DN65	DN80	DN100	DN125	DN150
A	18	18	20	21	21	21	22	25	29	31	35	40
B	38	44	54	63	70	78	92	112	127	148	178	210
Code	DIN5N10	DIN5N15	DIN5N20	DIN5N25	DIN5N32	DIN5N40	DIN5N50	DIN5N65	DIN5N80	DIN5N100	DIN5N125	DIN5N150

# DIN Blind Nut

Stainless Grade 304

"Can be used for  
DIN and DIN Inch  
Unions"



## Dimensions

Unit: mm (unless stated otherwise)

Size	DN10	DN15	DN20	DN25	DN32	DN40	DN50	DN65	DN80	DN100	DN125	DN150
A	38	44	54	63	70	78	92	112	127	148	178	210
B	18	18	20	21	21	21	22	25	29	31	35	40
Code	DINBN10	DINBN15	DINBN20	DINBN25	DINBN32	DINBN40	DINBN50	DINBN65	DINBN80	DINBN100	DINBN125	DINBN150

Stocked Items Non-Stocked Items