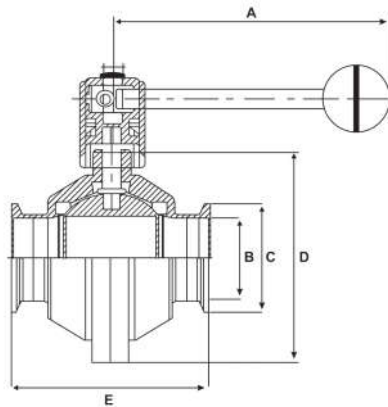


Tri Clover Sanitary Ball Valve

Stainless Grade 316

Features

- Tri Clover Ferrule connections
- Multi-position handle
- Maximum working temperature 120°C (with EPDM seal)



Dimensions

Unit: mm (unless stated otherwise)

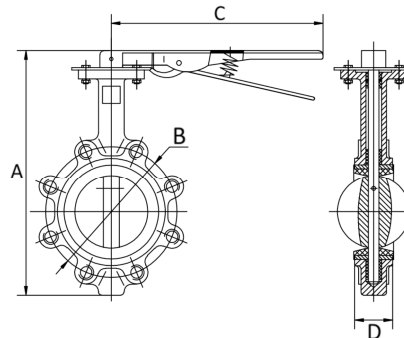
Size	25.4 1"	31.8 1 1/4"	38.1 1 1/2"	50.8 2"	63.5 2 1/2"	76.2 3"	101.6 4"
A	143	143	143	143	143	186	215
B	22.1	28.5	34.8	47.5	59.5	72.2	97.4
C	50.5	50.5	50.5	64	77.5	91	119
D	90	98	110	125	152	170	212
E	85	85	110	110	125	135	170
Code (Valve)	SSBVFER25	SSBVFER30	SSBVFER40	SSBVFER50	SSBVFER65	SSBVFER75	SSBVFER100
Code (Seal)	SSBVS25	SSBVS30	SSBVS40	SSBVS50	SSBVS65	SSBVS75	SSBVS100

Table E Lugged Butterfly Valve

Cast Iron, Stainless Steel Disc

Features

- Table E threaded stud pattern
- Maximum nominal working pressure 230PSI / 16Bar
- Nitrile (NBR) seal temperature rating 120°C
- Nitrile is suitable for oils, hydrocarbon fuels, hydraulic fluids, fats, and flame retardant liquids
- Lockable Lever with 10 position stainless steel notch plate



Dimensions

Unit: mm (unless stated otherwise)

Size	63.5 2 1/2"	76.2 3"	101.6 4"	150 6"	203.2 8"	250 10"
A	296	308	346	397	480	540
B	127	146	178	235	292	356
C	220	220	255	255	358	500
D	44.7	45.2	52.1	55.8	60.6	65.6
Code (Valve)	CILBV65	CILBV80	CILBV100	CILBV150	CILBV200	CILBV250
Code (Gear Box)	CILBVG65	CILBVG80	CILBVG100	CILBVG150	CILBVG200	CILBVG250

Stocked Items Non-Stocked Items