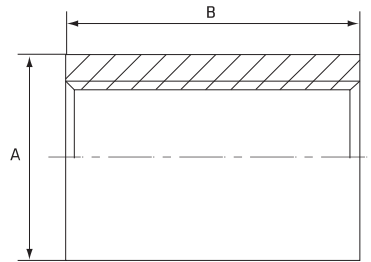


Socket

Stainless Grade 316

Features

- 150lbs Pressure Rating
- BSP threaded



Dimensions

Unit: mm (unless stated otherwise)

Size	3.18 1/8"	6.35 1/4"	9.53 3/8"	12.7 1/2"	19.05 3/4"	25.4 1"	31.8 1 1/4"	38.1 1 1/2"	50.8 2"	63.5 2 1/2"	76.2 3"	101.6 4"
A	15	18	21	25	31.4	37	46.5	52.5	65.1	81.5	95	122
B	18	24.5	26	33	35	42	45	45	54.5	63.5	68.5	76.5
Code	SS03	SS06	SS09	SS12	SS20	SS25	SS30	SS40	SS50	SS65	SS75	SS100

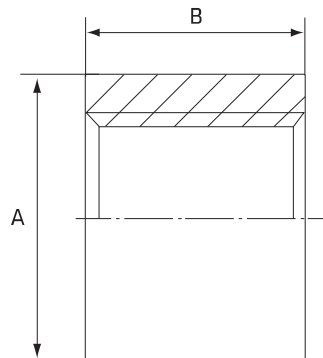
Half Socket

Stainless Grade 316

Features

- 150lbs Pressure Rating
- BSP threaded

"Ideal for tank applications"



Dimensions

Unit: mm (unless stated otherwise)

Size	3.18 1/8"	6.35 1/4"	9.53 3/8"	12.7 1/2"	19.05 3/4"	25.4 1"	31.8 1 1/4"	38.1 1 1/2"	50.8 2"	63.5 2 1/2"	76.2 3"	101.6 4"
A	15	18	21	25	31.4	37	46.5	52.5	65.1	81.5	95	122
B	8.5	12	12.5	16	17.2	19.5	21.5	21.5	27.5	30.5	35.5	41.5
Code	SHS03	SHS06	SHS09	SHS12	SHS20	SHS25	SHS30	SHS40	SHS50	SHS65	SHS75	SHS100

