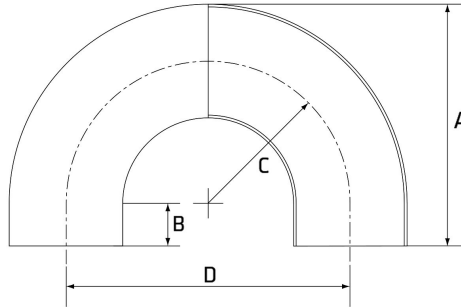


# Tube Bend 180°

Stainless Grade 304 and 316

### Features

- 320 Grit - satin finish
- Standard AS: 1528.3



### Dimensions - Medium (UNI)

Unit: mm (unless stated otherwise)

Size	19.05 3/4"	25.4 1"	31.8 1 1/4"	38.1 1 1/2"	50.8 2"	63.5 2 1/2"	76.2 3"	101.6 4"
A	74	80.8	93.5	106.3	131.6	157.1	182.4	233.2
B	35	30	30	30	30	30	30	30
C	29	38.1	47.6	57.2	76.2	95.3	114.3	152.4
D	59.7	78.5	98.1	117.8	157	196.3	235.5	313.9
Thickness	1.6	1.6	1.6	1.6	1.6	1.6	1.6	1.6
Code (304)	STB420180M	STB425180M	STB430180M	STB440180M	STB450180M	STB465180M	STB475180M	STB4100180M
Code (316)	STB620180M	STB625180M	STB630180M	STB640180M	STB650180M	STB665180M	STB675180M	STB6100180M

### Dimensions - Long (NZ)

Unit: mm (unless stated otherwise)

Size	25.4 1"	31.8 1 1/4"	38.1 1 1/2"	44.5 1 3/4"	50.8 2"	63.5 2 1/2"	76.2 3"
A	79.4	104.9	130.2	139.8	158.8	184.2	215.9
B	22.2	31.8	34.9	38.1	31.8	38.1	38.1
C	44.5	57.2	76.2	79.4	101.6	114.3	139.7
D	91.7	117.8	157	163.6	209.3	235.5	287.8
Thickness	1.6	1.6	1.6	1.6	1.6	1.6	1.6
Code (304)	STB425180L	STB430180L	STB440180L	STB445180L	STB450180L	STB465180L	STB475180L
Code (316)	STB625180L	STB630180L	STB640180L	STB645180L	STB650180L	STB665180L	STB675180L

