

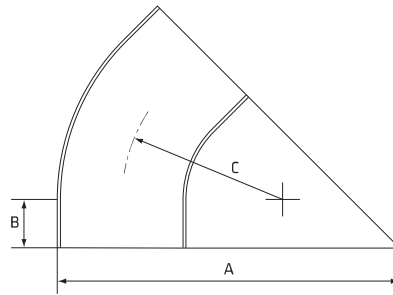
Tube Bend 45°

Stainless Grade 304 and 316

Features

- 320 grit satin finish
- Standard AS: 1528.3

"Larger sizes available. Refer to page 155"



Dimensions - Medium (UNI)

Unit: mm (unless stated otherwise)

| Size | 19.05 3/4" | 25.4 1" | 31.8 1 1/4" | 38.1 1 1/2" | 44.5 1 3/4" | 50.8 2" | 63.5 2 1/2" | 76.2 3" | 101.6 4" | 127 5" | 152.4 6" |
|------------|---------------|------------|----------------|----------------|----------------|------------|----------------|------------|-------------|-----------|-------------|
| A | 110.5 | 123 | 136 | 148 | 193.6 | 174 | 199 | 225 | 275 | 350.6 | 401.4 |
| B | 30 | 30 | 30 | 30 | 38.1 | 30 | 30 | 30 | 30 | 40 | 40 |
| C | 28.65 | 38.1 | 47.6 | 57.2 | 79.4 | 76.2 | 95.3 | 114.3 | 152.4 | 190.5 | 228.6 |
| Thickness | 1.6 | 1.6 | 1.6 | 1.6 | 1.2 | 1.6 | 1.6 | 1.6 | 1.6 | 1.6 | 2 |
| Code (304) | STB42045 | STB42545 | STB43045 | STB44045 | STB44545 | STB45045 | STB46545 | STB47545 | STB410045 | STB412545 | STB415045 |
| Code (316) | STB62045 | STB62545 | STB63045 | STB64045 | STB64545 | STB65045 | STB66545 | STB67545 | STB610045 | STB612545 | STB615045 |

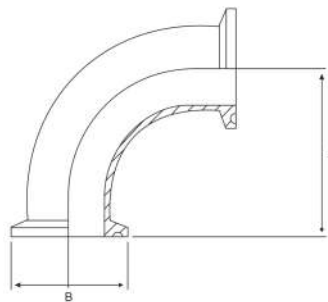
Tri Clover Bend 90°

Stainless Grade 304 and 316

Features

- 320 grit - satin finish

"No need for welding! Save time and effort with pre-ferruled fittings"



Dimensions

Unit: mm (unless stated otherwise)

| Size | 25.4 1" | 38.1 1 1/2" | 50.8 2" | 63.5 2 1/2" | 76.2 3" | 101.6 4" | 152.4 6" |
|------------|-------------|----------------|-------------|----------------|-------------|--------------|-------------|
| A | 50.8 | 69.9 | 88.9 | 108 | 127 | 168.2 | 250.8 |
| B | 50.5 | 50.5 | 64 | 77.5 | 91 | 119 | 167 |
| Code (304) | STBFER42590 | STBFER44090 | STBFER45090 | STBFER46590 | STBFER47590 | STBFER410090 | STBFER43090 |
| Code (316) | STBFER62590 | STBFER64090 | STBFER65090 | STBFER66590 | STBFER67590 | STBFER610090 | STBFER63090 |

