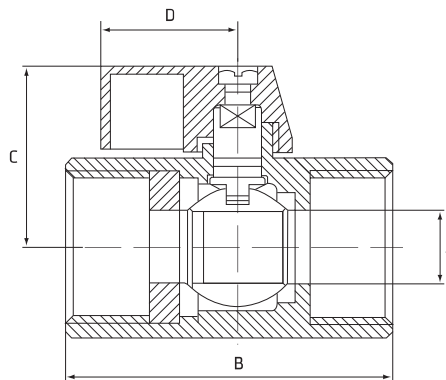


Female Mini Ball Valve

Stainless Grade 316

Features

- BSP threaded ends
- Reduced port
- Maximum Pressure 900PSI / 63Bar
- EPDM seal maximum temperature 120°C



Dimensions

Unit: mm (unless stated otherwise)

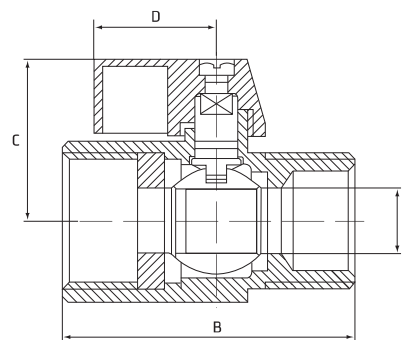
Size	6.35 1/4"	9.53 3/8"	12.7 1/2"
A	8	8	9.2
B	42	42	46
C	27	27	29.5
D	22	22	22
Code	SMBVFF06	SMBVFF09	SMBVFF12

Male-Female Mini Ball Valve

Stainless Grade 316

Features

- BSP threaded ends
- Reduced port
- Maximum Pressure 900PSI / 63Bar
- EPDM seal maximum temperature 120°C



Dimensions

Unit: mm (unless stated otherwise)

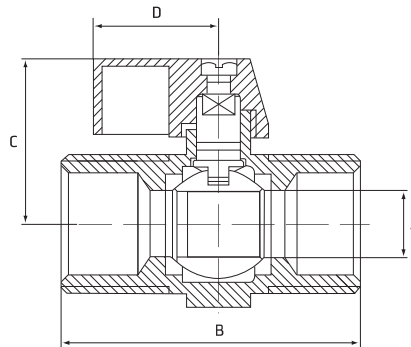
Size	6.35 1/4"	9.53 3/8"	12.7 1/2"
A	8	8	9.2
B	39	39	46
C	27	27	29.5
D	22	22	22
Code	SMBVMF06	SMBVMF09	SMBVMF12

Male Mini Ball Valve

Stainless Grade 316

Features

- BSP threaded ends
- Reduced port
- Maximum Pressure 900PSI / 63Bar
- EPDM seal maximum temperature 120°C



Dimensions

Unit: mm (unless stated otherwise)

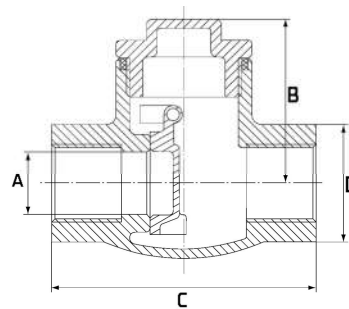
Size	6.35 1/4"	9.53 3/8"	12.7 1/2"
A	8	8	9.2
B	48	48	58
C	27	27	29.5
D	22	22	22
Code	SMBVMM06	SMBVMM09	SMBVMM12

Swing Check Valve

Stainless Grade 316

Features

- BSP threaded ends
- Maximum pressure 230PSI / 16Bar
- No seal
- Stainless steel body and disc



Dimensions

Unit: mm (unless stated otherwise)

Size	12.7 1/2"	19.05 3/4"	25.4 1"	31.8 1 1/4"	38.1 1 1/2"	50.8 2"	63.5 2 1/2"	76.2 3"	101.6 4"
A	15	20	25	32	40	50	65	80	100
B	41	49.5	55	62.5	70.5	79.5	93	104	140
C	65	80	92	105	120	140	180	200	240
D	26	31	39	50	58	68	87	102	128
Code	SSWCV12	SSWCV20	SSWCV25	SSWCV30	SSWCV40	SSWCV50	SSWCV65	SSWCV75	SSWCV100

Stocked Items Non-Stocked Items