

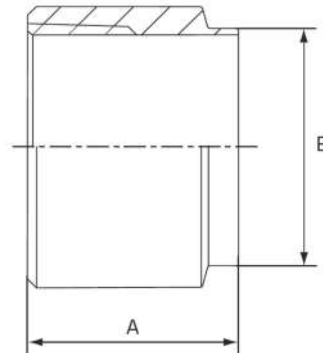
Weld Socket Adapter

Stainless Grade 316

Features

- Butt welds to Outside Diameter tube sizes
- 150lbs Pressure Rating
- BSP threaded end
- Flat spot for ease of tightening

“Weld Nipple Adapter also available. Refer to page 15”



Dimensions

Unit: mm (unless stated otherwise)

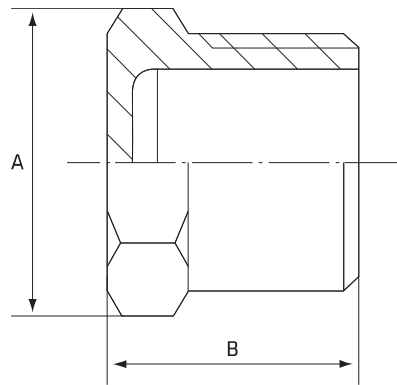
Size	12.7 1/2"	19.05 3/4"	25.4 1"	31.8 1 1/4"	38.1 1 1/2"	50.8 2"	63.5 2 1/2"	76.2 3"	101.6 4"
A	28.6	28.6	28.6	36.5	36.5	36.5	41.3	46	50.8
B	12.7	19.05	25.4	31.8	38.1	50.8	63.5	76.2	101.6
Code	SWSA12	SWSA20	SWSA25	SWSA30	SWSA40	SWSA50	SWSA65	SWSA75	SWSA100

Hex Plug

Stainless Grade 316

Features

- 150lbs Pressure Rating
- BSP threaded end
- Hollow centre



Dimensions

Unit: mm (unless stated otherwise)

Size	3.18 1/8"	6.35 1/4"	9.53 3/8"	12.7 1/2"	19.05 3/4"	25.4 1"	31.8 1 1/4"	38.1 1 1/2"	50.8 2"	63.5 2 1/2"	76.2 3"	101.6 4"
A	12.8	15.8	18	22	28	35	43.5	49.5	62	77.5	90	117
B	15.5	15.5	17	20	22	24	27.5	28	32.5	36	41.5	45
Code	SHP03	SHP06	SHP09	SHP12	SHP20	SHP25	SHP30	SHP40	SHP50	SHP65	SHP75	SHP100

Stocked Items Non-Stocked Items