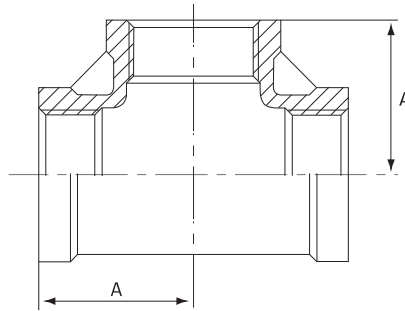


Tee

Stainless Grade 316

Features

- 150lbs Pressure Rating
- BSP threaded ends



Dimensions

Unit: mm (unless stated otherwise)

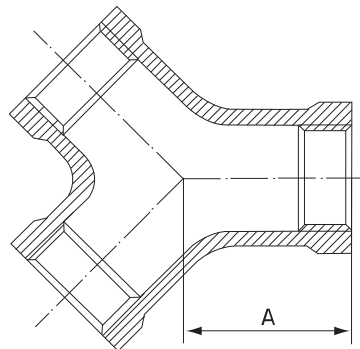
Size	3.18 1/8"	6.35 1/4"	9.53 3/8"	12.7 1/2"	19.05 3/4"	25.4 1"	31.8 1 1/4"	38.1 1 1/2"	50.8 2"	63.5 2 1/2"	76.2 3"	101.6 4"
A	17	19	22	25	27.5	33	40	43	52	65	78	93
Code	ST03	ST06	ST09	ST12	ST20	ST25	ST30	ST40	ST50	ST65	ST75	ST100

Y Type Tee

Stainless Grade 316

Features

- 150lbs Pressure Rating
- BSP threaded ends



Dimensions

Unit: mm (unless stated otherwise)

Size	3.18 1/8"	6.35 1/4"	9.53 3/8"	12.7 1/2"	19.05 3/4"	25.4 1"	31.8 1 1/4"	38.1 1 1/2"	50.8 2"	63.5 2 1/2"	76.2 3"	101.6 4"
A	17	20	25	30	35	41	50	52	62	69	78	96
Code	SY03	SY06	SY09	SY12	SY20	SY25	SY30	SY40	SY50	SY65	SY75	SY100

