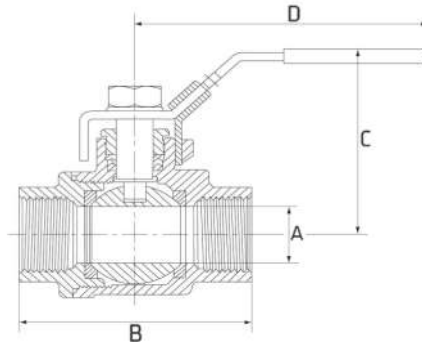


2pc Ball Valve

Stainless Grade 316

Features

- BSP threaded ends
- Maximum pressure 1000 PSI / 69Bar W.O.G. (Water, Oil, Gas)
- PTFE seal maximum temperature 250°C
- Full port
- Lockable latch handle



"Red handle sleeve available for hot water indication"

Dimensions

Unit: mm (unless stated otherwise)

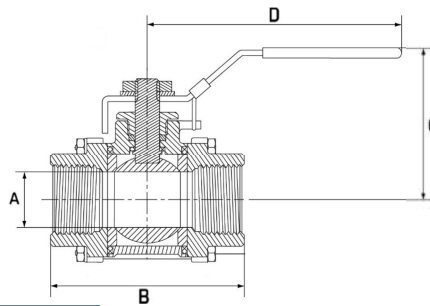
Size	6.35 1/4"	9.53 3/8"	12.7 1/2"	19.05 3/4"	25.4 1"	31.8 1 1/4"	38.1 1 1/2"	50.8 2"	63.5 2 1/2"	76.2 3"	101.4 4"
A	12.8	12.8	15	20	25	32	38	50	65	80	100
B	49	49	57	65	78	90.5	105	127	160	180	220
C	51	51	55	59	73	78	91	99	130	142	165
D	95	95	95	110	135	135	147	165	215	215	310
Code	SBV206	SBV209	SBV212	SBV220	SBV225	SBV230	SBV240	SBV250	SBV265	SBV275	SBV2100

3pc Ball Valve

Stainless Grade 316

Features

- BSP threaded ends
- Maximum pressure 1000 PSI / 69Bar W.O.G. (Water, Oil, Gas)
- PTFE seal maximum temperature 250°C
- Full port
- Lockable latch handle



"Red handle sleeve available for hot water indication"

"3pc Ball Valves with ISO mounting pad also available"

Dimensions

Unit: mm (unless stated otherwise)

Size	6.35 1/4"	9.35 3/8"	12.7 1/2"	19.05 3/4"	25.4 1"	31.8 1 1/4"	38.1 1 1/2"	50.8 2"	63.5 2 1/2"	76.2 3"	101.6 4"
A	12.8	12.8	15	20	25	32	38	50	65	80	100
B	59	59	64	75	85	97	110	132	167	187	230
C	51	51	55	59	73	78	91	99	130	142	174
D	95	95	95	110	135	135	147	165	215	215	310
Code	SBV306	SBV309	SBV312	SBV320	SBV325	SBV330	SBV340	SBV350	SBV365	SBV375	SBV3100