

Liquitron™ DC4000 Series Conductivity Controller

Applications

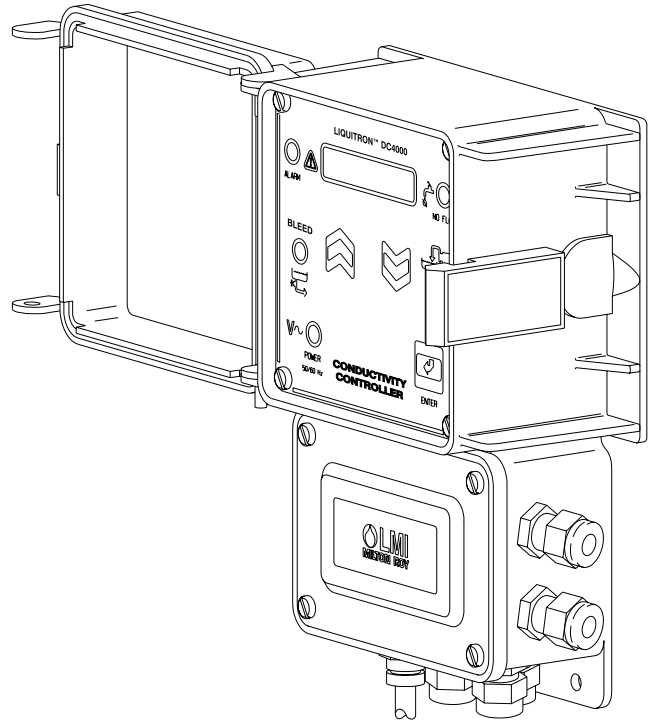
- *Cooling Tower*
- *Boiler*
- *Closed Loop Systems*

The DC4000 Series Conductivity Controller is a microprocessor based control system that will operate in a variety of water treatment applications.

The DC4000 provides a set point and relay for conductivity control, and a variety of timer functions to control chemical addition.

Programming this controller is simple and is accomplished using only three keys.

The backlit LCD display and LEDs provide visual indication of operating conditions and equipment status.



UL Approved!

Features

- 0–10,000 μS or 0–6,600 PPM/TDS Display
- High and Low Alarm with Relay
- Temperature Display in $^{\circ}\text{C}$ or $^{\circ}\text{F}$
- 4 – 20 mA Recorder Output (Standard)
- Flow Switch Compatible
- Backlit LCD Alpha / Numeric Display

Feed Modes

Feed Limit (Feed and Bleed)

1-999 minutes

Percentage of Time (reset)

1–100 minute cycle

1–100% on-time

Percentage of Control (Feed after Bleed)

1–100% of previous bleed cycle

1-999 minute limit

External Trigger (pulse)

1–999 seconds on-time

1–100 counter



8 Post Office Square
Acton, MA 01720 USA
TEL: (978) 263-9800
FAX: (978) 264-9172
<http://www.lmipumps.com>



Enclosure

NEMA 12X Type (prewired version)

Hard wiring makes the unit suitable for NEMA 4X applications.

Material (housing)

Flame retardant, molded TPE

Material (cover)

Clear molded polycarbonate, padlockable

Environment

32° F to 122° F (0° C to 50° C)

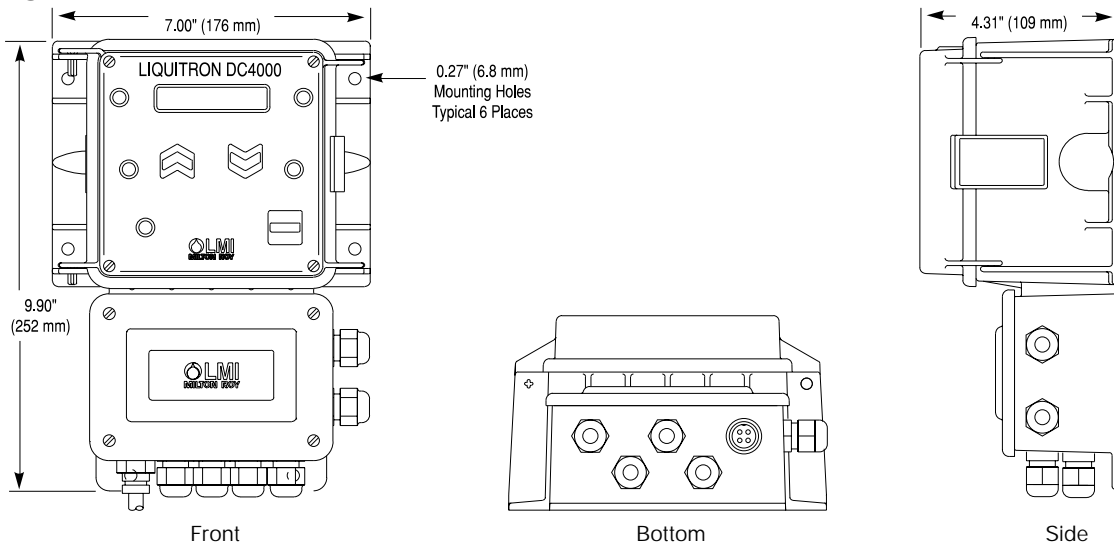
0 to 95% (non-condensing) relative humidity

Hardware

115 VAC, 50/60 Hz units provided with a 6 ft (2 m) grounded power cord and plug, and two (2) 1 ft (30 cm) output power cords with grounded receptacles for controlled devices.

230 VAC, 50/60 Hz units provided with 6 ft (2 m) grounded power cord and plug, and throughput connectors for hardwire connection of controlled devices.

Dimensions



Electrical

Input

115 VAC, 50/60 Hz or
230 VAC, 50/60 Hz

Control Output

Two (2) relays, 10 Amp @ 115 VAC, 5A @ 230 VAC
Unit fused for 10 Amp total load.

Signal Input

Two (2) PG-9 throughput connectors are provided for connection of flow meter and flow switch. A 4-pin microphone jack is provided for conductivity probe.

Signal Output

4–20 mA spannable output for conductivity.

Operational

Display

16 Character backlit LCD

Conductivity Scale

0–10,000 μS or 0–6600 PPM/TDS, selectable

LED Indicators

Power, control, alarm, no flow and feed

Differential (hysteresis)

Keypad adjustable

Feed Timers (selectable)

Pulse: 1–999 seconds run-time, 1–100 counts
% of Time: 1–100 minute cycle, 1–100% on-time
Limit: 1–999 minute run time
% of Bleed: 1–100% of previous bleed
1–999 minute limit

Set Point

Rising or falling (selectable)

Boiler Timer

Interval: 1–999 minutes
Duration: 1–999 seconds
Trap Time: 1–999 seconds
