



## Pro Series Stub Shaft

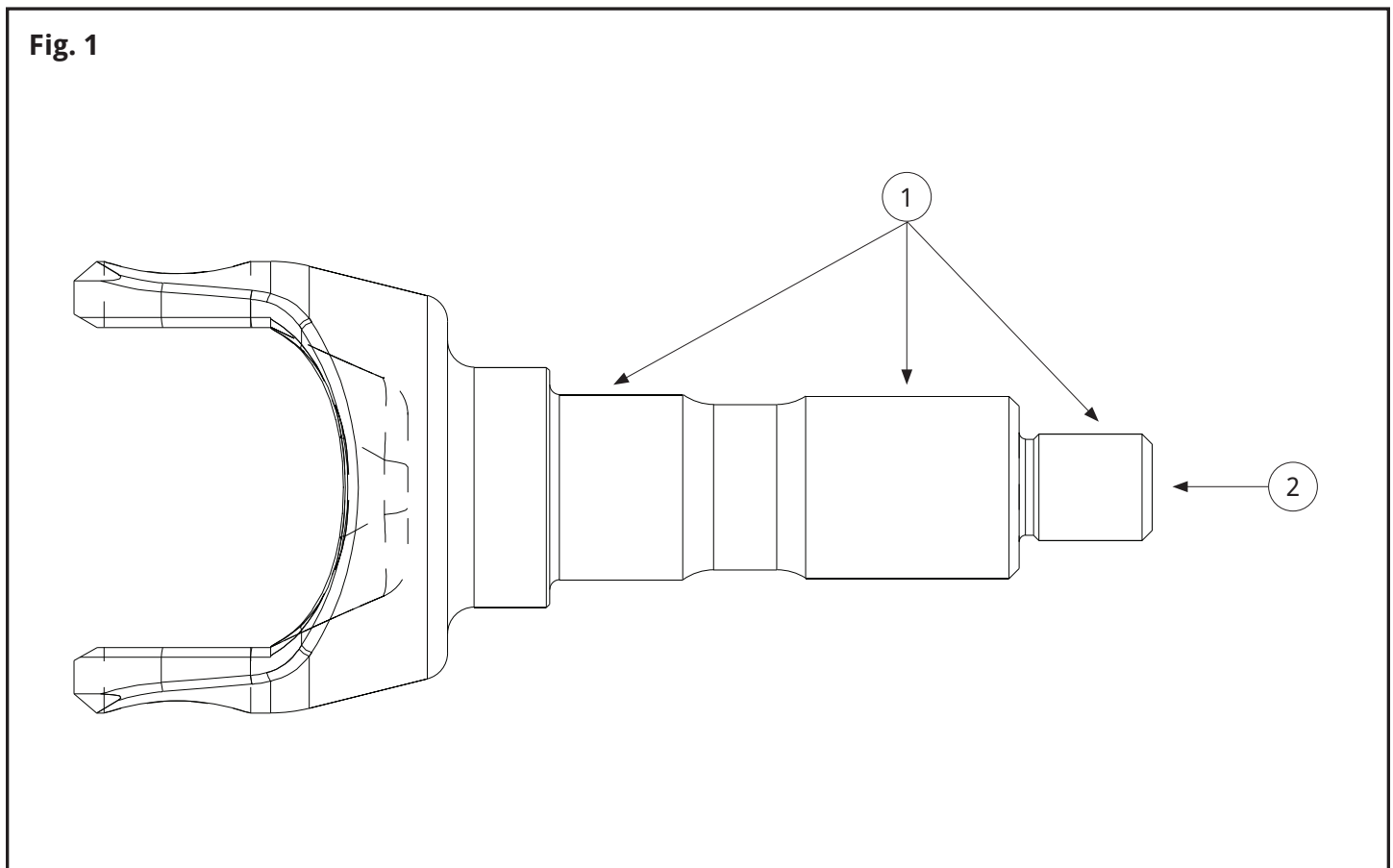
### General Description

The Spidertrax Pro Series Stub Shaft is a one-piece 40 splined stub shaft, machined from billet 300M and heat treated to meet/exceed AMS specification. This stub shaft is designed specifically for use in a Spidertrax 40 Splined Ultimate Unit Bearing. While the installation is virtually identical to other stub shafts we manufacture, there are two main areas of focus we'll detail in these instructions. Namely, those areas related to this stub shafts unique threaded fastening design. As with all Spidertrax products, the Pro Series Stub Shaft is proudly designed & manufactured in Loveland, Colorado.

1) As per #1 noted areas in Figure 1, it is CRITICAL that these areas have anti-seize applied liberally prior to installation (pilot, splines, & threads). While many anti-seize brands will work, we recommend an ARP Ultra-Torque Assembly Lubricant (#100-9910). If you don't have a container of this in your workshop, treat yourself; it's well worth the investment.

2) As per #2 noted area in Figure 2 (installation of included 1-14 Flanged Hex Head Pinch Nut), prior to installing this nut APPLY ANTI-SEIZE as noted in #1, otherwise threads will get damaged when nut is removed when disassembling in the future. Check that torque falls within a range of 115-175 ft-lbs.

**Spidertrax Disclaimers & Warranty Card is located on the back of these instructions.**





**SPIDERTRAX**  
OFF-ROAD

## Disclaimers & Warranty

### WARNING

INSTALLATION OF ANY COMPONENT OR SYSTEM SHOULD ONLY BE PERFORMED BY THOSE EXPERIENCED IN AUTOMOTIVE MECHANICS AND PROCEDURES.

Spidertrax warrants only to the original purchaser that all products will be free from defects in materials and workmanship. The foregoing warranty is subject to the proper installation, operation and maintenance of the product in accordance with the installation instructions supplied. Warranty claims must be made by the purchaser in writing within 30 days of the manifestation of a problem and purchaser must present acceptable proof of original ownership (such as copy of original receipt). Spidertrax reserves the right, before having any obligation under this Limited Lifetime Warranty, to inspect the damaged product and all costs of shipping the product to Spidertrax for inspection shall be borne solely by the purchaser. Spidertrax's sole obligation under the foregoing warranty is, at Spidertrax's option, to repair, replace or correct any such defect that was present at the time of delivery. The foregoing warranty is not transferable to another party and does not apply to any purchaser who bought the product from a reseller or distributor not authorized by Spidertrax.

### FOR OFF-ROAD USE ONLY

DRIVE THE VEHICLE UNDER CONTROLLED CONDITIONS TO ENSURE PROPER INSTALLATION OF COMPONENTS. GRADUALLY WORK UP TO FOUR WHEELING SPEEDS.



## Pro Series Stub Shaft Installation Instructions

ISTAXLLSKU40M-12