

# Discover the Hidden Beauty



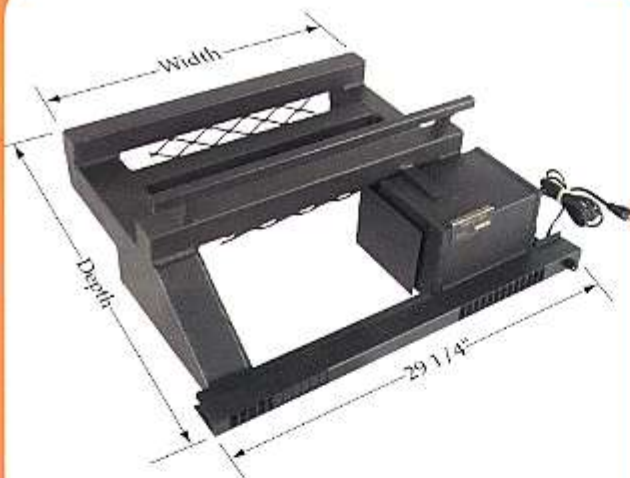
**Complete Versatility**  
Can be used with any set of glass doors.

## Cozy Grate Heater

- For Woodburning Masonry Fireplaces
- 40,000 BTU'S of Heat Per Hour
- 100 CFM Blower (variable speed)
- Rheostat and Thermostat Controlled
- Steel Tubing Warranted for 3 Years
- Turns On Automatically at 110° F and Off at 90° F
- All Electrical Components are U.L. Approved & 1 Year Warranty

Either the wood Cozy Grate Heater or Gas Log Heater is the perfect companion for any fireplace enclosure. It reduces your heating costs by distributing more heat throughout the room. Allows you to get the full benefit from your fireplace.

**COZY GRATE HEATER**



Model	Width	Depth	Weight
TR-22	24"	22"	58#
TR-20	22"	20"	56#
TR-17	20"	17"	54#
TR-22LH	Left Hand Motor		58#
TR-20LH	Left Hand Motor		56#
TR-17LH	Left Hand Motor		54#
<b>Stock Cozy Options</b>			
Rear log guard			
12" Extenders w/out lip			
18" Extenders for doors over 51 1/4" wide			

The TR-36 and TR-42 Trim Bars will fit a Thermo-Rite 36 and 42 wide series door exactly, no cutting required, a one piece pre-cut. The TR-54 Trim Bar is 3 pieces and can be used for all Thermo-Rite doors along with all competitive doors. The TR-51 trim bar is one piece 51" long. All trim bars fit either right or left hand motor heaters.

**Cozy Grate Heater Trim Bar**

Model	Finish	Size
TR-54-A	Antique 3 pc.	54" x 1 3/8"
TR-54-B	Polished 3 pc.	54" x 1 3/8"
TR-54-BB	Black 3 pc.	54" x 1 3/8"
TR-36-A	Antique 1 pc.	36 5/8" x 1 3/8"
TR-36-B	Polished 1 pc.	36 5/8" x 1 3/8"
TR-36-BB	Black 1 pc.	36 5/8" x 1 3/8"
TR-42-A	Antique 1 pc.	42 5/8" x 1 3/8"
TR-42-B	Polished 1 pc.	42 5/8" x 1 3/8"
TR-42-BB	Black 1 pc.	42 5/8" x 1 3/8"
TR-51POL	Polished 1 pc.	51" x 1 3/8"
TR-51ANT	Antique 1 pc.	51" x 1 3/8"
TR-51BLK	Black 1 pc.	51" x 1 3/8"
TR-54SAT	Satin 3 pc.	54" x 1 3/8"
TR-54PEW	Pewter 3 pc.	54" x 1 3/8"
TR-54CHR	Chrome 3 pc.	54" x 1 3/8"

*All units come with front rail 1 3/8" high and 51 1/4" wide. Glass door sits on top of front rail and is elevated 1 3/8". If your door is an inside fit, you must have 1" extra depth to accommodate the depth of the grate heater. On left hand motor models the right side of the heater is solid steel (no opening for gas line).*

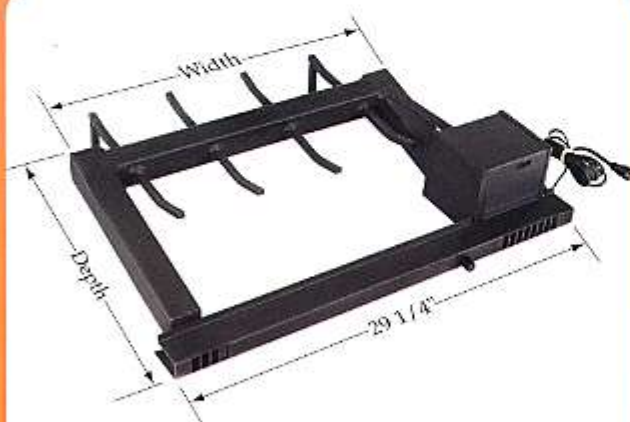
**Gas Log Heater**

- For Masonry Fireplaces
- 25,000 BTU's of Heat Per Hour.
- 60 CFM Blower / Low Profile Motor Box.
- Rheostat and Thermostat Controlled.
- Turns On Automatically at 110° F and Off at 90° F.
- Steel Tubing Warranted for 2 Years.
- Holds 16" to 30" Gas Logs (Most mfgs).

**Gas Log Heater Trim Bar**

Model	Finish	Size
GL-54-2420A	Antique 1 pc.	51" x 1 3/8"
GL-54-2420B	Polished 1 pc.	51" x 1 3/8"
GL-54-2017A	Antique 1 pc.	51" x 1 3/8"
GL-54-2017B	Polished 1 pc.	51" x 1 3/8"
GL-54-A	Antique 3 pc.	54" x 1 3/8"
GL-54-B	Polished 3 pc.	54" x 1 3/8"
GL-54-ALH Left Hand Antique	3 pc.	54" x 1 3/8"
GL-54-BLH Left Hand Polished	3 pc.	54" x 1 3/8"

**GAS LOG HEATER**



Model	Width	Depth	Weight
GL-2420	24"	20"	34#
GL-2017	20"	17"	33#
GL-2420LH	Left Hand Motor		34#
GL-2017LH	Left Hand Motor		33#

Left hand motor Gas Log Heaters require special left hand trim bar